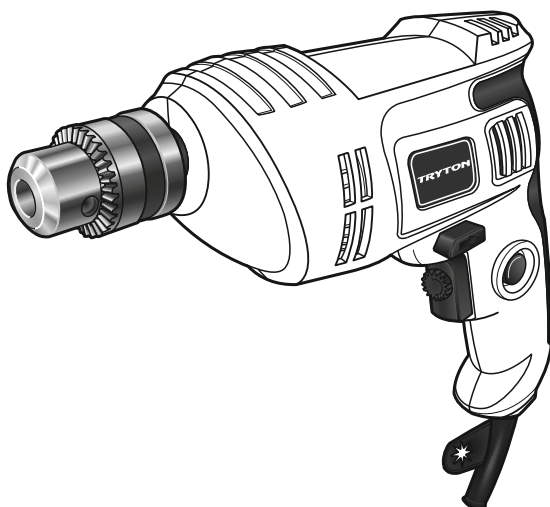


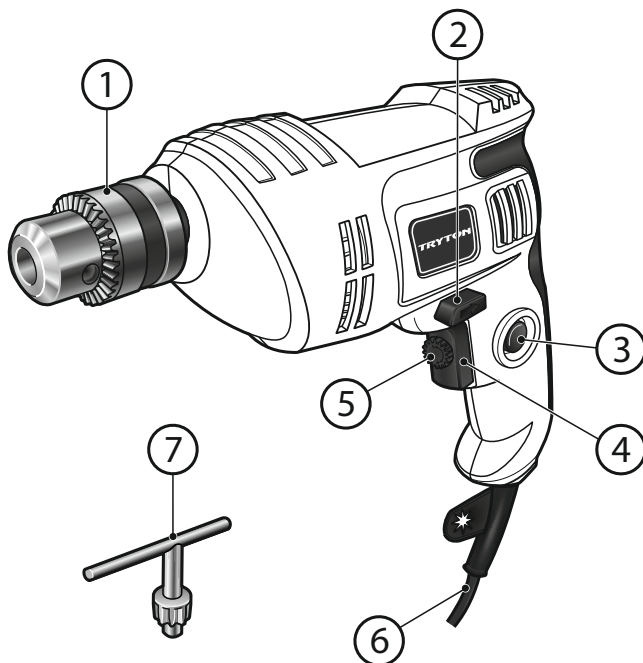
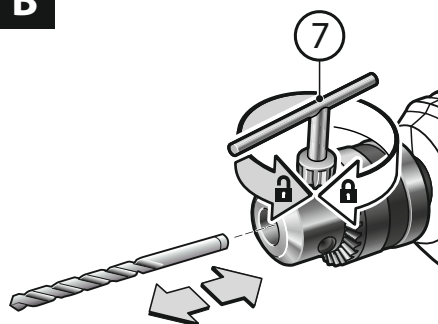
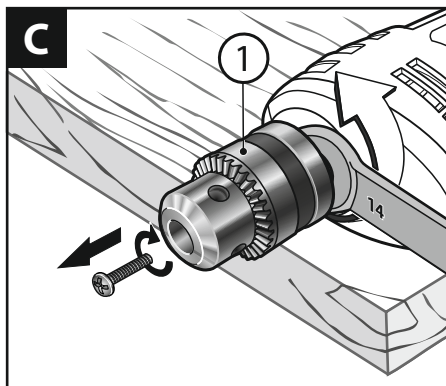
TRYTON

ELEKTRONARZĘDZIA



TUW550

GB Operating instruction	DRILL	3
PL Oryginalna instrukcja obsługi	WIERTARKA	7
RU Инструкция по эксплуатации	ДРЕЛЬ	12
RO Instrucțiuni de folosire	MAȘINĂ DE GĂURIT	17
LV Lietošanas instrukcija	URBJMAŠĪNA	21
CZ Návod na obsluhu	VRTAČKA	25

A**B****C**



BEFORE YOU START USING THE MACHINE READ THOROUGHLY THIS MANUAL.

Keep this document for future reference.



WARNING! Read all safety warnings marked with a symbol  and all operating safety instructions.

To limit the risk of fire, electric shock and injury while using the device, follow all operating safety instructions and tips provided below.

Keep all work safety instructions and tips for future reference.

In warnings provided herein the expression "power tool" means a power tool powered from the mains (with a power cord) or a battery powered power tool (cordless).



WARNING! General work safety warnings for use of the tool.

Workplace safety:

- Keep your workplace tidy and well lit. Untidiness and bad lighting result in higher accident rate.
- Do not use the power tool in explosive environments, created by flammable liquids, gases or dusts. The power tool generates sparks that can ignite dust or vapors.
- Keep children and unauthorized persons away from the place where the power tools are used. Inattention may result in losing control over your power tool.



WARNING! General warnings regarding the use of power tools.

Electric safety:

- Plugs used in power tools must match wall outlets. Never modify the plug of your power tool. Do not use any extension cables when operating a power tool with a grounding/earthing conductor (PE). Any modifications of plugs and outlets increase the risk of electric shock.
- Avoid touching earthed surfaces or grounded items like pipes, heaters, central heating radiators and refrigerators. Touching earthed or grounded surfaces increases the risk of electric shock.
- Do not expose your power tool to rain or damp environments. Water penetrating the tool increases the risk of electric shock.
- Do not damage the power cord. Never use the power cord to carry, pull the power tool and do not pull by its power cord to disconnect plug from the outlet. Keep the power cord away from sources of heat, oils, sharp edges and moving parts. Damaged or entangled power cords increase the risk of electric shock.
- When your power tool is operated outdoors use extension cords intended for outdoor use only. Using an extension cable intended for outdoor use decreases the risk of electric shock.
- When it is unavoidable to use your power tool in a damp environment use an RCD (Residual Current Device) for protection. The use of RCDs decreases the risk of electric shock.



WARNING! General warnings regarding the use of power tools.

Personal safety:

- This equipment is not intended for use by persons (including children) disabled physically, mentally, sensorial or persons with no experience and knowledge in operating the equipment unless they operate the equipment under supervision or follow user's instructions provided by persons responsible for their safety.
- It is necessary to predict steps, watch and keep common sense when using power tools. Do not operate power tools when you are tired, under influence of drugs, medicine or alcohol. A moment of inattention while operating a power tool may result in serious personal injury.
- Use personal protective equipment (PPE). Always wear safety goggles. Wearing personal protective equipment (PPE) including a dust mask, anti-slippery footwear, a helmet and ear protection reduces personal injury.
- Avoid unexpected start up. Before connecting your power tool to the mains and/or inserting a battery make sure its power switch is in off position. Carrying your power tool with a finger on its power switch or without disconnecting it from the mains (switched on) may result in an accident.
- Before starting your power tool remove any keys/wrenches. Leaving a key/wrench in the rotating part of your power tool may result in personal injury.
- Do not lean forward too far. Always remain stable and maintain balance. It will allow you to have a better control over your power tool in unpredictable situations.
- Wear appropriate clothing. Do not wear loose clothes or jewelry. Keep your hair tied. Keep your clothes away from moving parts. Loose clothes, jewelry or long hair may be caught by moving parts.
- If your power tool allows for using an external dust extraction or collection system, make sure it is connected and used properly. Using dust collectors may reduce dust affected risks.



WARNING! General warnings regarding the use of power tools.

Use and taking care of your power tool:

- Do not overload your power tool. Use a power tool with power adjusted to work being done. An appropriately chosen power tool will allow you to work better and safer under load it has been designed for.
- Do not use a power tool when its power switch is out of order (it does not switch it on or off). Any power tool with its power switch out of order is dangerous and must be repaired.
- Always disconnect the plug from the power source and/or disconnect its battery before changing any settings, performing replacement or storage. Such preventive measures reduce the risk of accidental power tool start up.
- Keep your power tool out of reach of children and do not allow unauthorized persons to use the power tool. Power tools in hands of untrained persons can be dangerous.

- e) **Power tools require maintenance.** Check power tools for concentricity or jamming of moving parts, any cracks and all other factors affecting the power tool work safety. If any damage to the power tool is detected, it should be repaired before use. Improper power tool maintenance is a reason for many accidents.
- f) **Cutting tools should be sharp and clean.** Keeping sharp cutting edges in good condition reduces the risk of jamming and facilitates operation.
- g) **Power tools, equipment, working tools etc. should be used according to this user's manual taking into account operating conditions and the work to be done.** Misusing a power tool can result in dangerous situations.
- h) **At low temperatures and after a long brakes in operation it is recommended to turn the power tool to operate it with no load for a few minutes to provide proper grease distribution inside its driving mechanism.**
- i) **Use soft, damp (cannot be wet) cloth and soap to clean power tools. Do not use petrol, solvents and other agents that may damage your equipment.**
- j) **Power tools can be stored/carried after making sure that all moving components are locked and protected against release with original devices intended for this purpose.**
- k) **Store power tools in a dry, dust and water-protected place.**
- l) **Carry your power tool in its original packaging to provide protection against mechanical damage.**



WARNING! General warnings regarding the use of power tools.

Repair:

- a) **Power tools can be repaired by competent persons only who use original spare parts.** It will provide safe operation for the power tool.



WARNING!

While operating power tools it is necessary to observe basic work safety rules to avoid fire, electric shock or mechanical injury.



WARNING!

DRILL, Additional Safety Warnings –

Personal Safety:

- a) **Wear ear protectors with drills.** Exposure to noise can cause hearing loss.
- b) **Hold power tool by insulated gripping surfaces, when performing an operation where the cutting accessory may contact hidden wiring or its own cord.** Cutting accessory contacting a "live" wire may make exposed metal parts of the power tool "live" and could give the operator an electric shock.
- c) **Use appropriate detectors to determine if utility lines are hidden in the work area or call the local utility company for assistance.** Contact with electric lines can lead to fire and electric shock. Damaging a gas line can lead to explosion. Penetrating a water line causes property damage or may cause an electric shock.
- d) **Do not work materials containing asbestos.** Asbestos is considered carcinogenic.

- e) **Keep your workplace clean and tidy.** Material mixtures are extremely dangerous. Light metal dusts can ignite or explode.
- f) **Protect the object machined.** Make sure all clamps are closed and check for excessive clearance. It is safer to fix the object machined in a fixing device or a vice than holding it in your hand.
- g) **Always hold firmly the power tool with your both hands keeping a stable position.** It is safer to control your power tool with both hands.
- h) **Turn the power tool immediately when the bit jams. Expect intense vibrations that can result in a kickoff.** The bit jams when the power tool is overloaded or is bent inside the object.
- i) **Always unplug the tool from the mains socket during breaks, prior to changing bits, during repairs, cleaning or making adjustments. Before you put the power tool aside make sure it is completely stopped.** The bit can jam resulting in losing control over the power tool.
- j) **Do not use a power tool with its power cord damaged. Do not touch the power cord when damaged; in case of damaging the power cord during operation unplug it from the mains.** Damaged power cords increase the risk of electric shock.
- k) **If the power cord is damaged, it must be replaced with a special cord available from an authorized service center.**

APPLICATIONS AND CONSTRUCTION:

The drill is intended for drilling holes in wood, metal, ceramics and plastics. The tool is equipped with an electronic control system and right-hand/left-hand operation switch and is also suitable for tightening/undoing screws and threading.

It is absolutely prohibited to use the tool in other applications.

The drill is powered by a single-phase electric motor and is intended for use in DIY under average load. It is not suitable for heavy duty tasks. **It is prohibited to use the tool to carry out operations that require using professional equipment.**

Each application of the tool not in line with the intended use as specified below is strictly forbidden and makes the warranty terms null and void. The manufacturer shall not be held responsible for possible consequential damage that may arise due to or in connection with such application.

Any modifications of the tool by the user relieve the manufacturer from responsibility for any damage and injuries to the user and the surroundings.

Application of the tool in accordance with the intended use also refers to its maintenance, storage, transportation and repairs.

Defective electric tools can be handed over for repairs exclusively to service workshops appointed by the tool manufacturer. The tools supplied from electric grid shall be repaired exclusively by authorized electricians.

Despite using the tool according to its intended application it is impossible to eliminate certain residual risk factors. Considering the tool construction the following risks may occur when operating the tool:

- Touching the rotating drill bit with the hand, operator's clothes or power cord.
- Burns when changing drill bits (Drill bits heat up intensely during operation; use protective gloves when changing the drill bit).
- Throwing back machined object or its fragment.
- Bending/breaking the drill bit.

operation; use protective gloves when changing the drill bit).

- Throwing back machined object or its fragment.
- Bending/breaking the drill.

■ **The set includes:**

- Impact drill - 1 piece
- Chuck key - 1 piece
- User's manual - 1 piece
- Warranty card - 1 piece

■ **Device components** (see Fig. A,B,C):

The numbering of device components refers to graphics presented on page 2 of the user's manual:

1. Drilling chuck with a toothed ring
2. Rotation direction switch
3. Switch lock
4. Switch
5. Rotational speed control
6. Power cord
7. Key for the drilling chuck with a toothed ring

SPECIFICATIONS:

MODEL	TUW550
Voltage	220-240 V
Frequency	50 Hz
Power consumption	550 W
No load speed	0-2800 rpm
Drill chuck (keyed)	13 mm
Maximum hole diameter	steel - 10 mm
	wood - 25 mm
Weight (with no accessories)	2,7 kg
Equipment Class	II
Ingress protection	IP20
Sound pressure level (LpA)	88 dB(A)
Sound power level (LwA)	99 dB(A)
tolerance of measurements KpA/KwA=3 dB(A)	
Vibration level according to valid standard EN 60745	
Drilling into metal a_{v0}	3,42 m/s ²
tolerance of measurements K=1,5 m/s ²	

The vibration level value given refers to basic application of the tool. If the tool is used for other applications or with other tools, or if it is not maintained properly, the vibration level may differ from the values given. The above-mentioned causes may lead to higher exposure to vibrations during the whole work time.

One must implement additional safety measures to protect the operators from exposure to vibrations, such as maintenance of the electric tool and work tools, assurance of proper hand temperature, or determination of the sequence of work operations.

BEFORE YOU START:

1. Make sure that power supply parameters meet the requirements provided on the drill nameplate.
2. Make sure the drill switch is in off position and switch lock (3) is

released. Do not put the device aside when the lock is on. To release the lock press the switch (4) again.

3. When using an extension cord make sure its parameters and cable cross-section meet the drill power requirements. Extension cords should be as short as possible. When in use extension cords must be fully uncoiled.

OPERATION:

■ **Selecting a drill bit**

When drilling holes in metal, plastics, wood (hole diameters up to 6mm) use metal bits.

When drilling holes with a diameter exceeding 6 mm in wood, use wood drill bits.

■ **Fixing a drill bit**

Insert a drill bit into the loosened chuck (1) and fix it by tightening jaws by turning the outer ring clockwise with the key (7) inserted one by another into 3 holes provided in the chuck body (see Fig.: B).

■ **Changing the rotation direction**

Move the rotation direction lever (2) to a selected position until you feel resistance. Symbols on the housing near the switch: ➡ - clockwise rotation, ⬅ - counterclockwise rotation.

NOTE: Never change the rotation direction when the drill chuck (1) rotates.

■ **Turning on/off**

To turn the power tool on press its switch (4) button and keep it pressed.

To lock the switch in on position press the lock (3).

To turn the power tool off just release the switch (4) button or, when it is locked with switch lock (3), press it for a moment and then release it.

■ **Controlling the speed**

By increasing or decreasing the pressure on switch (4) the user can control the rotational speed steplessly.

Low pressure on the switch (4) results in low speed. Increasing the pressure raises the speed.

■ **Setting the speed**

Using rotational speed control (5) the user can set a desired speed. It can be done during operation.

Speed depends on the material drilled and working conditions and can be determined by performing a test.

HANGING THE DRILL CHUCK:



Prior to any work on the power tool unplug it from the mains socket.

The chuck installed on a right-hand/ left-hand rotating drill is fixed with a left-hand thread bolt. Prior to changing the drill chuck, undo the screw using a Phillips type (Ph2) screwdriver inserting it from the front through the chuck opening.

A left-hand thread screw can be undone only by turning it clockwise.

To remove the chuck (1) put the drill on a stable surface, e.g. on a work bench, apply a two-hole spanner (14 mm) to notches at the spindle. Hold the chuck with one hand and turn the spanner counterclockwise with the other until the chuck is completely removed (see Fig. C).

The drill chuck installation should be carried out in the opposite order.

No dirt is allowed on the chuck seat and spindle thread.

TIPS REGARDING OPERATION:

- After a longer operation at low speeds run the power tool at its maximum speed with no load for about 3 minutes to cool it down.
- To drill holes in ceramic tiles use a drill bits for glass and glaze.
- When drilling in metal use sharp metal drill bits only.

NOTE: Proper drill bit selection reduces vibrations during drilling, which increases drilling efficiency considerably.

- When tightening/undoing screws place the bit onto the screw/nut when the chuck is stopped.

STORAGE AND MAINTENANCE:

Generally, this power tool does not require any special maintenance. Store the machine in a place away from children, keep it clean and protect from humidity and dust. Storage conditions should exclude any mechanical damage and weathering.

After drilling in intensely dusty environments it is recommended to remove dust from ventilation openings and the drill chuck with a stream of compressed air. It will protect bearings and remove the dust obstructing motor cooling air supply.

TRANSPORTATION:

The drill should be transported and stored in a box providing protection against humidity, dust and tiny objects penetration; special care should be taken to protect ventilation inlets. Small objects that get into the device can damage the motor.

TROUBLESHOOTING GUIDE (TYPICAL PROBLEMS):

The drill does not work:

- check whether the power cord (6) is properly connected and check fuses.

The drill works with interruptions or generates sparks:

- check and replace carbon brushes.

NOTE! Carbon brushes can be replaced only by competent electricians.

- If the power tool does not work despite being supplied from a proper power source, have the tool repaired sending it to the service center. The addresses are provided in the warranty card.

MANUFACTURER:

PROFIX Ltd.,
34 Marywilska Street,
03-228 Warsaw, POLAND.

PROTECTION OF THE ENVIRONMENT:



NOTE: The symbol nearby denotes that old equipment must never be thrown away together with other waste (with the penalty of a fine). Hazardous components of electronic equipment may adversely affect the natural environment and human health.

Each household may contribute to the recovery and reuse (recycling) of old machinery and equipment. Both in Poland and Europe a system for recovery of used equipment either exists or is being created. The system obliges all organizations that sell such equipment to collect the used machinery and appliances. Moreover, general purpose collecting points for such equipment are available.

PICTOGRAMS:

Explanation of the icons located on the nominal plate and the information tags.



«Read this instruction before switching on the power supply and starting the work»



«Always wear safety goggles»



«Wear hearing protection»



«Wear a dust mask»



The policy of the PROFIX company consists in permanent improvements of the offered products and therefore the company reserves the right to make amendments to the product specification without a prior notice. The images included into the operation manual are only of the exemplary nature and may slightly differ from actual appearance of the device purchased. This instruction manual is protected by copyright. Copying it without the written consent of PROFIX Co. Ltd. is prohibited.



PRZED PRZYSTĄPIENIEM DO UŻYTKOWANIA NALEŻY ZAPOZNAĆ SIĘ Z NINIEJSZĄ INSTRUKCJĄ. Zachowaj instrukcję do ewentualnego przyszłego wykorzystania.



OSTRZEŻENIE! Należy przeczytać wszystkie ostrzeżenia dotyczące bezpieczeństwa użytkowania oznaczone symbolem ⚠ i wszystkie wskazówki dotyczące bezpieczeństwa użytkowania.

Nieprzestrzeżenie podanych niżej ostrzeżeń dotyczących bezpieczeństwa i wskazówek dotyczących bezpieczeństwa może być przyczyną porażenia prądem elektrycznym, pożaru i/lub poważnych obrażeń.

Zachowaj wszystkie ostrzeżenia i wskazówki dotyczące bezpieczeństwa, aby móc skorzystać z nich w przyszłości.

W podanych niżej ostrzeżeniach wyrażenie „elektronarzędzie” oznacza elektronarzędzie zasilane z sieci (z przewodem zasilającym) lub elektronarzędzie zasilane z akumulatora (bezprowadowe).



OSTRZEŻENIE! Ogólne ostrzeżenia dotyczące bezpieczeństwa użytkowania narzędzia.

Bezpieczeństwo w miejscu pracy:

- W miejscu pracy należy utrzymywać porządek i dobre oświetlenie. Nieporządek i złe oświetlenie przyczynia się do wypadków.
- Nie należy używać elektronarzędzia w środowiskach wybuchowych, tworzonych przez łatwo palne ciecze, gazy lub pyły. Elektronarzędzie wytwarza iskry, które mogą zapalić pył lub opary.
- Nie należy dopuszczać dzieci i obserwatorów do miejsc, w których używa się elektronarzędzi. Rozproszenie uwagi może spowodować utratę kontroli nad elektronarzędziem.



OSTRZEŻENIE! Ogólne ostrzeżenia dotyczące bezpieczeństwa użytkowania narzędzia.

Bezpieczeństwo elektryczne:

- Wtyczki elektronarzędzi muszą pasować do gniazdek. Nigdy w żaden sposób nie należy przerabiać wtyczki. Nie należy używać żadnych przedłużaczy w przypadku elektronarzędzi mających przewód z żyłą uziemienia ochronnego. Brak przerobek we wtyczkach i gniazdkach wtyczkowych zmniejsza ryzyko porażenia prądem elektrycznym.
- Należy unikać dotykania powierzchni uziemionych lub zwartych z masą, takich jak rury, ogrzewacze, grzejniki centralnego ogrzewania i chłodziarki. W przypadku dotknięcia części uziemionych lub zwartych z masą, wzrasta ryzyko porażenia prądem elektrycznym.
- Nie należy narażać elektronarzędzi na działanie deszczu lub warunków wilgotnych. W przypadku przedostania się do elektronarzędzia wody, wzrasta ryzyko porażenia prądem elektrycznym.
- Nie należy nadwierać przewodów przyłączeniowych. Nigdy nie należy używać przewodu przyłączeniowego do

przenoszenia, ciągnięcia elektronarzędzia lub wyciągania wtyczki z gniazdka. Należy trzymać przewód przyłączeniowy z daleka od źródeł ciepła, olejów, ostrych krawędzi lub ruchomych części. Uszkodzone lub zaplątane przewody przyłączeniowe zwiększają ryzyko porażenia prądem elektrycznym.

- W przypadku, gdy elektronarzędzie używa się na wolnym powietrzu, przewody przyłączeniowe należy przedłużać przedłużaczami przeznaczonymi do pracy na wolnym powietrzu. Używanie przedłużacza przeznaczonego do pracy na wolnym powietrzu zmniejsza ryzyko porażenia prądem elektrycznym.
- W przypadku, gdy używanie elektronarzędzia w środowisku wilgotnym jest nieuniknione, jako ochronę przed napięciem zasilania należy stosować urządzenie różnicowoprądowe (RCD). Zastosowanie RCD zmniejsza ryzyko porażenia prądem elektrycznym.



OSTRZEŻENIE! Ogólne ostrzeżenia dotyczące bezpieczeństwa użytkowania narzędzia.

Bezpieczeństwo osobiste:

- Niniejszy sprzęt nie jest przeznaczony do użytkowania przez osoby (w tym dzieci) o ograniczonej zdolności fizycznej, czuciowej lub psychicznej, lub osoby nie mające doświadczenia lub znajomości sprzętu, chyba że odbywa się to pod nadzorem lub zgodnie z instrukcją użytkowania sprzętu, przekazanej przez osoby odpowiadające za ich bezpieczeństwo.
- Należy być przewidującym, obserwować co się robi i zachowywać rozsądek podczas używania elektronarzędzia. Nie należy używać elektronarzędzia, gdy jest się zmęczonym lub pod wpływem narkotyków, alkoholu lub leków. Chwila nieuwagi podczas pracy elektronarzędziem może spowodować poważne osobiste obrażenia.
- Należy stosować wyposażenie ochronne. Należy zawsze zakładać okulary ochronne. Używanie w odpowiednich warunkach wyposażenia ochronnego, takiego jak maska przeciwpyłowa, obuwie antypoślizgowe, kask lub ochronniki słuchu, zmniejsza osobiste obrażenia.
- Należy unikać niezamierzonego rozruchu. Przed przyłączeniem do źródła zasilania i/lub przed podłączeniem akumulatora oraz zanim podniesie się lub przeniesie się narzędzie należy upewnić się, że wyłącznik elektronarzędzia jest w pozycji wyłączony. Przenoszenie elektronarzędzia z palcem na wyłączniku lub przyłączenie elektronarzędzia do sieci zasilającej przy załączonym wyłączniku może być przyczyną wypadku.
- Przed uruchomieniem elektronarzędzia należy usunąć wszystkie klucze. Pozostawienie klucza w obracającej się części elektronarzędzia może spowodować osobiste obrażenia.
- Nie należy wychylać się z daleka. Należy cały czas stać pewnie i zachować równowagę. Umożliwi to lepszą kontrolę nad elektronarzędziem w sytuacjach nieprzewidywalnych.
- Należy odpowiednio się ubierać. Nie należy nosić luźnego ubrania ani biżuterii. Należy utrzymywać swoje włosy,

ubranie i rękawiczki z dala od części ruchomych. Luźne ubrania, biżuteria lub długie włosy mogą zostać zacepione przez części ruchome.

- h) Jeżeli urządzenie są przystosowane do przyłączenia zewnętrznego odciągu pyłu i pochłaniacza pyłu, należy upewnić się, że są one przyłączone i prawidłowo użyte. Użycie pochłaniacza pyłu może zredukować zagrożenia zależne od zapylenia.



OSTRZEŻENIE! Ogólne ostrzeżenia dotyczące bezpieczeństwa użytkowania narzędzia.

Użytkowanie i troska o elektronarzędzie:

- a) Nie należy elektronarzędzia przeciążać. Należy stosować elektronarzędzie o mocy odpowiedniej do wykonywanej pracy. Właściwe elektronarzędzie umożliwi pracę lepszą i bezpieczniejszą przy obciążeniu, na jakie zostało zaprojektowane.
- b) Nie należy używać elektronarzędzia, jeżeli łącznik go nie załącza i nie wyciąga. Każde elektronarzędzie, którego nie można załączać lub wyciągać łącznikiem, jest niebezpieczne i musi zostać naprawione.
- c) Należy odłączać wtyczkę ze źródła zasilania elektronarzędzia i/lub odłączyć akumulator przed wykonaniem każdej nastawy, wymiany części lub magazynowaniem. Takie zapobiegawcze środki bezpieczeństwa redukują ryzyko przypadkowego rozruchu elektronarzędzia.
- d) Nieużywane elektronarzędzie należy przechowywać poza zasięgiem dzieci i nie należy pozwalać osobom niezaznajomionym z elektronarzędziem lub niniejszą instrukcją na używanie elektronarzędzia. Elektronarzędzia są niebezpieczne w rękach nieprzeszkolonych użytkowników.
- e) Elektronarzędzia należy konserwować. Należy sprawdzać współosiowość lub zakleszczenie się części ruchomych, pęknięcia części i wszystkie inne czynniki, które mogą mieć wpływ na pracę elektronarzędzia. Jeżeli stwierdzi się uszkodzenia, należy elektronarzędzie przed użyciem naprawić. Przyczyną wielu wypadków jest niefachowy sposób konserwacji elektronarzędzia.
- f) Narzędzia tnące powinny być ostre i czyste. Odpowiednie utrzymywanie ostrych krawędzi narzędzi tnących zmniejsza prawdopodobieństwo zakleszczenia i ułatwia obsługę.
- g) Elektronarzędzie, wyposażenie, narzędzia robocze itp. należy stosować zgodnie z niniejszą instrukcją, biorąc pod uwagę warunki pracy i rodzaj pracy do wykonania. Używanie elektronarzędzia w sposób, do jakiego nie jest przewidziane, może spowodować niebezpieczną sytuację.
- h) W niskich temperaturach, lub po dłuższym okresie nie użytkowania, zalecane jest włączenie elektronarzędzia bez obciążenia na okres kilku minut w celu właściwego rozprowadzenia smaru w mechanizmie napędu.
- i) Do czyszczenia elektronarzędzi stosować miękką, wilgotną (nie mokra) szmatkę i mydło. Nie stosować benzyny, rozpuszczalników i innych środków mogących uszkodzić urządzenie.
- j) Elektronarzędzie należy przechowywać/transportować po upewnieniu się, że wszystkie jego elementy ruchome są zablokowane i zabezpieczone przed odblokowaniem za

pomocą oryginalnych elementów do tego przeznaczonych.

- k) Elektronarzędzie należy przechowywać w miejscu suchym, zabezpieczone przed kurzem i wnikaniem wilgoci.
- l) Transportowanie elektronarzędzia powinno odbywać się w opakowaniu oryginalnym, zabezpieczającym przed uszkodzeniami mechanicznymi.



OSTRZEŻENIE! Ogólne ostrzeżenia dotyczące bezpieczeństwa użytkowania narzędzia.

Naprawa:

- a) Naprawę elektronarzędzia należy zlecać wyłącznie osobie wykwalifikowanej, wykorzystującej wyłącznie oryginalne części zamienne. Zapewni to, że użytkowanie elektronarzędzia będzie nadal bezpieczne.



OSTRZEŻENIE! Wiertarka, ostrzeżenia dotyczące bezpieczeństwa –

Bezpieczeństwo osobiste:

- a) Zakładaj ochronniki słuchu podczas pracy wiertarką. Narazanie się na hałas może spowodować utratę słuchu.
- b) Podczas wykonywania prac, przy których narzędzie robocze mogłoby natrafić na ukryte przewody elektryczne lub na własny przewód zasilający, elektronarzędzie należy trzymać za izolowane powierzchnie rękojeści. Kontakt z przewodami sieci zasilającej może spowodować przekazanie napięcia na części metalowe elektronarzędzia, co mogłoby spowodować porażenie prądem elektrycznym.
- c) Należy używać odpowiednich przyrządów poszukiwawczych w celu lokalizacji ukrytych przewodów zasilających, lub poprosić o pomoc administrację obiektu. Kontakt z przewodami znajdującymi się pod napięciem może doprowadzić do powstania pożaru i porażenia elektrycznego. Uszkodzenie przewodu gazowego może doprowadzić do wybuchu. Wniknięcie do przewodu wodociągowego powoduje szkody rzeczowe.
- d) Nie należy obrabiać materiału zawierającego azbest. Azbest powoduje chorobę nowotworową.
- e) Miejsce pracy należy utrzymywać w czystości. Mieszanki materiałów są szczególnie niebezpieczne. Pył z metalu lekkiego może się zapalić lub wybuchnąć.
- f) Należy zabezpieczyć obrabiany przedmiot. Upewnij się, czy wszystkie zadiski mocujące są ściśnięte i zweryfikować, ażeby nie było przesadnego luzu. Zamocowanie obrabianego przedmiotu w urządzeniu mocującym lub imadle jest bezpieczniejsze niż trzymanie go w ręku.
- g) Elektronarzędzie podczas pracy należy mocno trzymać oburącz oraz dbać o stabilną pozycję. Elektronarzędzie prowadzone jest bezpiecznie w obydwu rękach.
- h) Należy natychmiast wyłączyć elektronarzędzie, gdy zablokuje się używane narzędzie. Należy być przygotowanym na wysokie wibracje, które powodują odrzut. Używane narzędzie zablokuje się, gdy: elektronarzędzie jest przeciążone, lub gdy skrzywi się w obrabianym przedmiocie.
- i) Należy odłączać maszynę od sieci elektrycznej podczas przerwy w pracy, podczas wymiany nasadek, remontu, czyszczenia lub regulacji. Przed odłożeniem elektronarzędzia, należy poczekać, aż znajdzie się ono w bezruchu.

Narzędzie robocze może się zablokować i doprowadzić do utraty kontroli nad elektronarzędziem.

- j) **Nie wolno używać elektronarzędzia z uszkodzonym przewodem zasilającym. Nie należy dotykać uszkodzonego przewodu; w przypadku uszkodzenia przewodu podczas pracy, należy wyciągnąć wtyczkę z gniazda. Uszkodzone przewody podwyższają ryzyko porażenia prądem.**
- k) **Jeżeli przewód zasilający nieodłączalny ulegnie uszkodzeniu, to powinien on być zastąpiony specjalnym przewodem lub zespołem dostępnym u wytwórcy lub w specjalistycznym zakładzie naprawczym.**

PRZEZNACZENIE I BUDOWA WIERTARKI:

Wiertarka jest przeznaczona do wiercenia otworów w drewnie, metalu, ceramice i tworzywach sztucznych. Urządzenie jest wyposażone w system regulacji elektronicznej i bieg w prawo/lewo i nadaje się również do wkręcania/wykręcania śrub i gwintowania.

Kategorycznie wyklucza się wykorzystanie urządzenia do wszelkich innych celów.

Wiertarka jest napędzana silnikiem jednofazowym i przeznaczona jest do robót domowych o przeciętnej intensywności. Nie nadaje się do długotrwałych robót w ciężkich warunkach. **Nie wolno wykorzystywać narzędzia do wykonywania prac wymagających zastosowania profesjonalnego urządzenia.**

Każde użycie elektronarzędzia niezgodne z przeznaczeniem podanym wyżej jest zabronione i powoduje utratę gwarancji oraz brak odpowiedzialności producenta za powstałe w wyniku tego szkody.

Jakiegokolwiek modyfikacje urządzenia dokonane przez użytkownika zwalniają producenta z odpowiedzialności za uszkodzenia i szkody wyrządzone użytkownikowi i otoczeniu.

Poprawne użytkowanie elektronarzędzia dotyczy także konserwacji, składowania, transportu i napraw.

Elektronarzędzie może być naprawiane wyłącznie w punktach serwisowych wyznaczonych przez producenta. Urządzenia zasilane z sieci powinny być naprawiane tylko przez osoby uprawnione.

Pomimo zgodnego z przeznaczeniem stosowania nie można całkowicie wyeliminować określonych czynników ryzyka resztkowego. Ze względu na konstrukcję i budowę maszyny mogą wystąpić następujące niebezpieczeństwa:

- Dotknięcie obracającego się wiertła w trakcie pracy ręką lub ubraniem operatora, przewodem zasilającym.
- Oparzenie przy wymianie wiertła. (Podczas pracy wiertło bardzo się rozgrzewa, żeby uniknąć oparzenia przy jego wymianie należy stosować rękawice ochronne).
- Odrzucenie przedmiotu obrabianego lub części przedmiotu obrabianego.
- Skrzywienie/złamanie wiertła.

■ Kompletacja

- Wiertarka - 1 szt.
- Klucz do uchwytu wiertarskiego z wieniec zębatym - 1 szt.
- Instrukcja obsługi - 1 szt.
- Karta gwarancyjna - 1 szt.

■ Elementy urządzenia (patrz rys: A, B, C):

Numeracja elementów urządzenia odnosi się do przedstawienia graficznego umieszczonego na stronie 2 instrukcji obsługi:

1. Uchwyt wiertarski kluczkowy
2. Przełącznik kierunku obrotów
3. Blokada włącznika
4. Włącznik
5. Pokrętko regulacji prędkości obrotowej
6. Przewód zasilający
7. Klucz do uchwytu wiertarskiego z wieniec zębatym

DANE TECHNICZNE:

MODEL	TUW550
Napięcie zasilania	220-240 V
Częstotliwość zasilania	50 Hz
Moc pobierana	550 W
Prędkość obrotowa bez obciążenia	0-2800 /min
Uchwyt wiertarski (kluczkowy)	13 mm
Maksymalna średnica wiercenia	stal - 10 mm
	drewno - 25 mm
Masa (bez akcesoriów)	2,7 kg
Klasa narzędzia	II
Stoień ochrony	IP20
Poziom ciśnienia akustycznego LpA	88 dB(A)
Poziom mocy akustycznej LwA	99 dB(A)
Niepewność pomiarowa KpA/KwA=3 dB(A)	
Poziom vibracji wg normy EN 60745	
wiercenie w metalu a _w	3,42 m/s ²
tolerancja pomiaru K=1,5 m/s ²	

Podany poziom drgań jest reprezentatywny dla podstawowych zastosowań elektronarzędzia. Jeżeli elektronarzędzie użyte zostanie do innych zastosowań lub z innymi narzędziami roboczymi, a także jeśli nie będzie wystarczająco konserwowane, poziom vibracji może odbiegać od podanego.

Podane powyżej przyczyny mogą spowodować podwyższenie ekspozycji na wibracje podczas całego czasu pracy. Należy wprowadzić dodatkowe środki bezpieczeństwa, mające na celu ochronę operatora przed skutkami ekspozycji na wibracje, np.: konserwacja elektronarzędzia i narzędzi roboczych, zabezpieczenie odpowiedniej temperatury rąk, ustalenie kolejności operacji roboczych.

PRZED PRZYSTĄPIENIEM DO PRACY:

1. Upewnić się, że źródło zasilania ma parametry odpowiadające parametrom wiertarki podanym na tabliczce znamionowej.
2. Upewnić się że włącznik wiertarki jest w pozycji wyłączenia i blokada włącznika (3) jest zwolniona. Nie wolno odkładać pracującej wiertarki gdy blokada jest włączona. Wyłączenie blokady następuje przez ponowne wciśnięcie włącznika (4).
3. W przypadku pracy z przedłużaczem należy upewnić się że parametry przedłużacza, przekroje przewodów, odpowiadają parametrom wiertarki. Zaleca się stosowanie jak najkrótszych przedłużaczy. Przedłużacz powinien być całkowicie rozwinięty.

W TRAKCIE PRACY:

■ Dobór wiertła

Do wiercenia w metalu, tworzywach sztucznych, drewnie (przy średnicy

otworu do 6 mm) stosować wiertła do metalu.

Do wiercenia w drewnie otworów o średnicy powyżej 6 mm stosować wiertła do drewna.

■ Mocowanie wiertła

Wsunąć wiertło do oporu do poluzowanego uchwyty wiertarskiego (1) i unieruchomić je przez dociśnięcie szcęk obrotowym pierścieniem zewnętrznym za pomocą klucza (7), korzystając kolejno z trzech otworów w korpusie uchwyty (patrz rys. B).

■ Zmiana kierunku obrotów

Przesunąć przełącznik kierunku obrotów (2) do oporu w odpowiednie położenie. Oznaczenia na włączniku: ➡ - obroty zgodne z ruchem wskazówek zegara, ⬅ - obroty przeciwnie ruchowi wskazówek zegara.

UWAGA: Nigdy nie przełączać kierunku obrotów, gdy uchwyt wiertarski (1) jest w ruchu.

■ Włączanie/wyłączanie

W celu włączenia elektronarzędzia należy nacisnąć włącznik (4) i trzymać wciśnięty.

Aby zablokować włącznik w pozycji włączony należy wcisnąć blokadę włącznika (3).

W celu wyłączenia elektronarzędzia, należy włącznik (4) zwolnić, lub gdy jest on unieruchomiony przyciskiem blokady (3), nacisnąć go krótko i następnie zwolnić.

■ Regulowanie prędkości obrotowej

Przez zwiększenie lub zmniejszenie nacisku na włącznik (4) można bezstopniowo regulować prędkość obrotową.

Lekki nacisk na włącznik (4) powoduje małą prędkość obrotową. Zwiększony nacisk podwyższa prędkość obrotową.

■ Nastawianie prędkości obrotowej

Pokrętkiem regulacji prędkości obrotowej (5) można nastawić wymaganą prędkość obrotową. Można to zrobić również podczas pracy. Wymagana prędkość obrotowa zależna jest od obrabianego materiału i warunków pracy i można ją ustalić przeprowadzając próbę praktyczną.

WYMIANA UCHWYTU WIERTARSKIEGO:



UWAGA: Przed wszystkimi pracami przy elektronarzędziu należy wyciągnąć wtyczkę z gniazda.

Uchwyt wiertarski w wiertarce o ruchu obrotowym w prawo/w lewo jest unieruchomiony przy pomocy śruby z lewym gwintem. Przed wymianą uchwyty wiertarskiego konieczne jest wykręcenie tej śruby za pomocą odpowiedniego wkrętaka krzyżowego (PH2) od przodu przez otwór uchwyty wiertarskiego.

Śrubę z gwintem lewym można zwolnić tylko przez obracanie w prawo.

Aby zdemontować uchwyt wiertarski (1) należy położyć wiertarkę na stabilnym podłożu, np. na ławie roboczej i przyłożyć klucz widełkowy (14 mm) do nacięć, znajdujących się na wrzecionie. Przytrzymać uchwyt jedną ręką, a drugą przekręcać klucz w kierunku przeciwnym do ruchu wskazówek zegara, aż do całkowitego wykręcenia uchwyty (rys. C).

Montaż uchwyty wiertarskiego odbywa się w odwrotnej kolejności.

Na gnieździe uchwyty i gwincie wrzeciona nie powinny znajdować się żadne zanieczyszczenia.

WSKAZÓWKI DOTYCZĄCE PRACY:

- Po trwającej dłużej pracy z małą prędkością obrotową należy uruchomić elektronarzędzie w celu ochłodzenia przez ok. 3 minuty przy maksymalnej prędkości obrotowej bez obciążenia.
- Aby wiercić otwory w płytkach ceramicznych należy używać wiertła doszklai glazury.
- Do wiercenia w metalu należy używać tylko ostrych wiertel do metalu.

UWAGA: Dobór odpowiedniego wiertła do każdego rodzaju pracy zapewni zmniejszenie drgań podczas wiercenia, co w znacznym stopniu zwiększa wydajność wiercenia.

- Przy wkręcaniu /wykręcaniu śrub /nakrętek przykładaj końcówkę roboczą do śruby /nakrętki gdy uchwyt wiertarski nie obraca się.

PRZECHOWYWANIE I KONSERWACJA:

Maszyna w zasadzie nie wymaga specjalnych zabiegów konserwacyjnych. Maszynę należy przechowywać w miejscu, niedostępnym dla dzieci, utrzymywać w stanie czystości, chronić przed wilgocią i zapyleniem. Warunki przechowywania powinny wykluczać możliwość uszkodzeń mechanicznych oraz wpływ czynników atmosferycznych.

Po wierceniu w środowisku silnie pyłącym zaleca się przedmuchiwanie sprężonym powietrzem otworów wentylacyjnych i uchwyty wiertarskiego. Zapobiegnie to uszkodzeniom łożysk, usunie pył blokujący dopływ powietrza chłodzącego silnik.

TRANSPORT:

Wiertarkę transportować i składować w opakowaniu chroniącym przed wilgocią, wnikaniem pyłu i drobnych obiektów, zwłaszcza należy zabezpieczyć otwory wentylacyjne. Drobne elementy, które dostaną się wewnątrz obudowy mogą uszkodzić silnik.

TYPOWE USTERKI I ICH USUWANIE:

Wiertarka nie działa:

- sprawdź czy przewód zasilający (6) jest prawidłowo podłączony oraz skontrolować bezpieczniki,

Wiertarka «przerewa» lub iskrzy:

- sprawdź i wymień szczotki węglowe.

UWAGA! Wymianę szczotek węglowych może wykonać tylko uprawniony elektryk.

- jeżeli elektronarzędzie nie działa, mimo że jest zasilane napięciem, należy je wysłać do serwisu naprawczego na adres podany w karcie gwarancyjnej.

PRODUCENT:

PROFIX Sp z o.o.,
ul. Marywilska 34,
03-228 Warszawa

OCHRONA ŚRODOWISKA:



UWAGA: Przedstawiony symbol oznacza zakaz umieszczania zużytego sprzętu łącznie z innymi odpadami (z zagrożeniem karcą grzywny). Składniki niebezpieczne znajdujące się w sprzęcie elektrycznym i elektronicznym wpływają negatywnie na środowisko naturalne i zdrowie ludzi.

Gospodarstwo domowe powinno przyczyniać się do odzysku i ponownego użycia (recyklingu) zużytego sprzętu. W Polsce i w Europie tworzony jest lub już istnieje system zbierania zużytego sprzętu, w ramach którego wszystkie punkty sprzedaży ww. sprzętu mają obowiązek przyjmować zużyty sprzęt. Ponadto istnieją punkty zbiórki ww. sprzętu.

PIKTOGRAMY:

Objaśnienia ikonek znajdujących się na opakowaniu i naklejkach informacyjnych.



– «*Przed uruchomieniem przeczytać instrukcję obsługi*»



– «*Zawsze stosować okulary ochronne*»



– «*Stosować środki ochrony słuchu*»



– «*Stosować maskę przeciwpyłową*»



Polityka firmy PROFIX jest polityką stałego udoskonalania swoich produktów i dlatego firma rezerwuje sobie prawo zmiany specyfikacji wyrobu bez uprzedniego zawiadomienia. Obrazki, podane w instrukcji obsługi, są przykładowe i mogą się nieznacznie różnić od rzeczywistego wyglądu zakupionego urządzenia.


Niniejsza instrukcja jest chroniona prawem autorskim. Kopiowanie/ powielanie jej bez pisemnej zgody firmy Profix Sp. z o.o. jest zabronione.



ПЕРЕД НАЧАЛОМ ЭКСПЛУАТАЦИИ НЕОБХОДИМО ОЗНАКОМИТЬСЯ С НАСТОЯЩЕЙ ИНСТРУКЦИЕЙ.

Хранить инструкцию для возможного применения в будущем.



ПРЕДУПРЕЖДЕНИЕ! Необходимо ознакомиться со всеми предупреждениями, касающимися безопасности при эксплуатации, обозначенными символом  и всеми указаниями по технике безопасности.

Несоблюдение указанных ниже предупреждений, касающихся безопасности и указаний по технике безопасности может привести к поражению электрическим током, пожару и/или серьезным травмам тела.

Необходимо хранить все предупреждения и указания, касающиеся техники безопасности, чтобы можно было воспользоваться ними в будущем.

В указанных ниже предупреждениях слово „электроинструмент“ означает электроинструмент с питанием от сети (посредством электрического кабеля) или электроинструмент, питаемый от аккумулятора (беспроводное питание).



ПРЕДУПРЕЖДЕНИЕ! Общие предупреждения, касающиеся безопасности при эксплуатации инструмента.

Техника безопасности на рабочем месте:

- a) Необходимо поддерживать порядок и хорошее освещение на рабочем месте. Беспорядок и плохое освещение являются причиной несчастных случаев.
- б) На следует использовать электроинструмент во взрывоопасной среде, образующей легко воспламеняющимися жидкостями, газами или пылью. Электроинструмент создаёт искры, которые могут привести к воспламенению пыли или испарений.
- в) Не допускать детей и наблюдателей в места, в которых применяются электроинструменты. Отвлечение внимания может привести к потере контроля над электроинструментом.



ПРЕДУПРЕЖДЕНИЕ! Общие предупреждения, касающиеся безопасности при эксплуатации инструмента.

Электробезопасность:

- a) Штепсельные вилки должны соответствовать сетевым розеткам. Ни в коем случае не переделывать каким-либо образом штепсельную вилку. Не применять каких-либо удлинителей электропитания в случае использования электроинструментов, имеющих провод электропитания с защитным заземляющим проводником. Отсутствие переделок штепсельных розеток и сетевых розеток снижает опасность поражения электрическим током.
- б) Необходимо избегать прикосновения к поверхности заземлённых или закороченных на массу элементов,

таких как трубы, нагреватели, радиаторы центрального отопления и холодильные агрегаты. В случае прикосновения заземлённого или закороченного на массу элемента увеличивается опасность поражения электрическим током.

- в) Не подвергать электроинструменты воздействию дождя или влажных условий. В случае попадания в электроинструмент воды увеличивается опасность поражения электрическим током.
- г) Не создавать опасности повреждения кабеля электропитания. Ни в коем случае не использовать кабеля электропитания, чтобы переносить или тянуть электроинструмент или для извлечения штепсельной вилки из розетки. Кабель электропитания должен находиться вдали от источников тепла, масел, острых краёв и движущихся частей. Повреждённые или запутанные кабели электропитания увеличивают опасность поражения электрическим током.
- д) Если электроинструмент эксплуатируется на свежем воздухе, следует использовать удлинители кабеля электропитания, предназначенные для работы вне помещений. Использование удлинителя кабеля электропитания, предназначенного для работы вне помещений, снижает опасность поражения электрическим током.
- е) Если эксплуатация электроинструмента во влажной среде неизбежна, в качестве защиты от напряжения питания необходимо использовать защитное устройство по разностному току (RCD). Применение защитного устройства по разностному току снижает опасность поражения электрическим током.



ПРЕДУПРЕЖДЕНИЕ! Общие предупреждения, касающиеся безопасности при эксплуатации инструмента.

Индивидуальная безопасность:

- a) Настоящее оборудование не предназначено для эксплуатации лицами (включая детей) с физическими, сенсорными или умственными ограничениями или лицами, не имеющими опыта или не знающими оборудования, разве что это осуществляется под надзором или в соответствии с инструкцией по эксплуатации оборудования, переданной лицами, отвечающими за их безопасность.
- б) Необходимо быть предусмотрительным, наблюдать за работой и руководствоваться здравым смыслом во время эксплуатации электроинструмента. Не следует эксплуатировать электроинструмент в состоянии переутомления или находясь под действием наркотиков, алкоголя или лекарств. Мгновение невнимания во время эксплуатации электроинструмента может быть причиной травмы пользователя.
- в) Необходимо применять средства личной защиты.

Необходимо обязательно работать с защитными очками. Применение в соответствующих условиях средств личной защиты, таких как противольный респиратор, противоскользкая обувь, каска или средства защиты слуха снизит риск получения травмы.

- г) Необходимо избегать случайного запуска в работу. Прежде чем вставить вилку кабеля электропитания в сетевую розетку или подключить аккумулятор, а также перед тем, как поднять или перенести электроинструмент, необходимо убедиться, что выключатель электроинструмента находится в положении «выключено». Перенос электроинструмента с пальцем на выключателе или подключение электроинструмента к сети питания при включенном выключателе может привести к несчастному случаю.
- д) Прежде, чем запустить электроинструмент в работу, необходимо устранить все ключи. Ключ, оставшийся во вращающейся части электроинструмента, может привести к травме пользователя.
- е) Не следует слишком сильно наклоняться. Необходимо всё время сохранять устойчивость и равновесие. Это позволяет лучше контролировать электроинструмент в неожиданных ситуациях.
- ж) Необходимо иметь соответствующую одежду. Не работать в свободной одежде или с бижутерией. Необходимо, чтобы волосы пользователя, его одежда и рукавицы находились вдали от движущихся элементов. Свободная одежда, бижутерия или длинные волосы могут быть зацеплены движущимися частями.
- з) Если оборудование приспособлено для присоединения внешнего пылеотвода (пылеулавливающего устройства) и поглотителя пыли, необходимо убедиться, что они присоединены и правильно применяются. Применение поглотителей пыли может уменьшить опасность, связанную со загрязненностью.



ПРЕДУПРЕЖДЕНИЕ! Общие предупреждения, касающиеся безопасности при эксплуатации инструмента.

Эксплуатация и уход за электроинструментом:

- а) Не допускать перегрузки электроинструмента. Применять электроинструмент с мощностью, соответствующей выполняемой работе. Надлежащий электроинструмент позволит лучше и безопаснее работать при нагрузке, на которую он рассчитан.
- б) Не следует применять электроинструмент, если его выключатель не включается и не выключается. Каждый электроинструмент, который не может включаться или выключаться выключателем, представляет опасность и должен быть передан на ремонт.
- в) Необходимо отсоединить штепсельную вилку от источника питания электроинструмента и/или отсоединить аккумулятор прежде чем выполнить какую-либо установку, замену части или складирование устройства. Такие предупредительные меры безопасности снижают риск случайного запуска электроинструмента в

работу.

- г) Неиспользуемый электроинструмент следует хранить в недоступном для детей месте и не разрешать тем, кто незнаком с электроинструментом или настоящей инструкцией, пользоваться электроинструментом. Электроинструмент опасен в руках необученных пользователей.
- д) Следует выполнять технический уход за электроинструментом. Необходимо проверить соосность или отсутствие заедания (защемления) подвижных элементов, трещин частей, а также все другие факторы, могущие влиять на работу электроинструмента. В случае обнаружения неисправности, необходимо выполнить ремонт электроинструмента. Причиной многих несчастных случаев является непрофессиональный способ выполнения технического ухода.
- е) Режущий инструмент должен быть острым и чистым. Соответствующее содержание и уход за острыми кромками режущего инструмента снижает вероятность защемления и упрощает обслуживание.
- ж) Электроинструмент, оснащение, рабочие инструменты и т. п. необходимо применять в соответствии с настоящей инструкцией, учитывая рабочие условия и вид выполняемой работы. Применение электроинструмента не по назначению может привести к опасным ситуациям.
- з) При низкой температуре или после длительного перерыва в эксплуатации рекомендуется включение электроинструмента без нагрузки на несколько минут с целью распределения смазки в механизме привода.
- и) Для чистки электроинструмента применять мягкую, влажную (не мокрую) тряпку и мыло. Не применять бензина, растворителей и других средств, могущих повредить устройство.
- й) Электроинструмент следует хранить/транспортировать, убедившись, что все его подвижные элементы заблокированы и защищены от разблокировки при помощи оригинальных элементов, предназначенных для этой цели.
- к) Электроинструмент должен храниться в сухом месте и быть защищенным от пыли и проникания влаги.
- л) Транспортировку электроинструмента необходимо выполнять в оригинальной упаковке, защищающей от механических повреждений.



ПРЕДУПРЕЖДЕНИЕ! Общие предупреждения, касающиеся безопасности при эксплуатации инструмента.

Ремонт:

- а) Ремонт электроинструмента необходимо поручать исключительно квалифицированному лицу, использующему только оригинальные запасные части. Это гарантирует безопасность дальнейшей эксплуатации электроинструмента.



ПРЕДУПРЕЖДЕНИЕ!

Во время работы с электроинструментом следует обязательно соблюдать основные меры безопасности

при работе, чтобы избежать взрыва, пожара, поражения электрическим током, или механической травмы.



ПРЕДУПРЕЖДЕНИЕ! ДРЕЛЬ, предупреждения, касающиеся техники безопасности – Индивидуальная безопасность:

- а) **Использовать средства защиты слуха во время работы с дрелью.** Длительное воздействие шума может привести к потере слуха.
- б) **При выполнении работ, при которых электроинструмент может попасть на скрытую электропроводку или на собственный кабель электропитания, электроинструмент следует держать за изолированную поверхность держателей (рукояток).** Прикосновение к проводу сети питания (кабелю электропитания), находящемуся под напряжением, может привести к попаданию напряжения на металлические части электроинструмента, а это несёт опасность поражения электрическим током.
- в) **Следует применять соответствующие приборы для обнаружения скрытых проводов сети питания и попросить о помощи городские коммунальные службы.** Контакт с проводами, находящимися под напряжением, может привести к пожару или поражения электрическим током. Повреждение газопроводной трубы может привести к взрыву. Проникновение в водопроводную трубу ведёт к материальным потерям и может привести к поражению электрическим током.
- г) **Не обрабатывайте материалы с содержанием асбеста.** Асбест является канцерогеном и вызывает раковые заболевания.
- д) **Необходимо поддерживать чистоту в месте выполнения работы.** Смеси материалов представляют особую опасность. Пыль лёгких металлов может воспламениться или взорваться.
- е) **Необходимо закрепить обрабатываемый предмет.** Проверить, все ли крепежные зажимы зажаты и убедиться, что нет слишком большого зазора. Закрепление обрабатываемого предмета в крепежном устройстве или тисках более безопасно, чем удерживание его рукой.
- ж) **Во время работы следует прочно держать электроинструмент двумя руками и сохранять устойчивое положение.** Перемещение электроинструмента безопасно, если выполняется обеими руками.
- з) **Следует немедленно отключить электроинструмент, если заблокируется используемый рабочий инструмент. Необходимо быть готовым к большим вибрациям, в результате которых может произойти отброс.** Блокировка применяемого рабочего инструмента может произойти, если электроинструмент перегружен или если будет иметь место его искривление в обрабатываемом предмете.
- и) **Следует отключать машину от сети электропитания во время перерыва в работе, во время смены насадок, ремонта, чистки или регулировки. Не откладывать электроинструмент, пока он не остановится. Может произойти блокировка рабочего инструмента, в результате чего будет потеряна контроль над электроинструментом.**
- к) **Запрещено эксплуатировать электроинструменты с повреждённым кабелем электропитания. Не прика-**

саться к повреждённому кабелю электропитания. В случае повреждения кабеля электропитания во время работы, необходимо извлечь штепсельную вилку из розетки. Повреждённые провода увеличивают опасность поражения электрическим током.

- л) **Повреждённый кабель электропитания электроинструмента должен быть заменён кабелем электропитания, имеющимся в сервисных пунктах.**

ПРЕДНАЗНАЧЕНИЕ И КОНСТРУКЦИЯ ДРЕЛИ:

Дрель предназначена для высверливания отверстий в древесине, металле, керамике и пластмассе. Устройство имеет систему электронной регулировки и переключение направления вращения вправо/влево. Возможно выполнение ввинчивания / вывинчивания винтов и нарезки резьбы.

Категорически запрещено применять устройство для каких-либо других целей.

Дрель приводится в движение однофазным электродвигателем и предназначена для бытовых работ средней интенсивности. Не пригодна для длительных работ в сложных условиях. **Запрещено применять устройство для работ, требующих применения профессионального оборудования.**

Каждое применение электроинструмента, несоответствующее указанному выше назначению, запрещено и ведёт к потере гарантии и отсутствию ответственности производителя за возникший в результате этого ущерб.

Какие-либо модификации электроинструмента, осуществлённые пользователем, освобождают производителя от ответственности за повреждения и ущерб, причинённый пользователю и окружающей среде.

Правильная эксплуатация электроинструмента относится также к техобслуживанию, хранению, транспортировке и ремонту.

Ремонт электроинструмента может выполняться только в определённых производителем сервисных пунктах. Устройства с питанием от сети должны ремонтироваться исключительно лицами, имеющими соответствующий допуск.

Даже применяя устройство по назначению, нельзя полностью исключить определённых факторов остаточного риска. С учётом конструкции устройства может иметь место следующая опасность:

- Прикосновение в процессе работы вращающегося сверла рукой или одеждой оператора, кабелем электропитания.
- Возможность ожога при смене сверла. (В процессе работы сверло сильно разогревается и чтобы избежать ожогов при его смене, необходимо применять защитные рукавицы).
- Отбрасывание обрабатываемого предмета или его части.
- Искривление или поломка сверла.

■ Состав комплекта

- Дрель - 1 шт.
- Ключ для сверлильного патрона - 1 шт.
- Инструкция по обслуживанию - 1 шт.
- Гарантийная карта - 1 шт.

■ Элементы устройства (см. рис. А, В, С):

Нумерация элементов устройства относится к изображениям, находящимся на странице 2 инструкции по эксплуатации:

1. Сверлильный патрон с зубчатым венцом
2. Переключатель направления вращения
3. Блокировка выключателя
4. Выключатель
5. Регулятор частоты вращения
6. Кабель электропитания
7. Ключ для сверлильного патрона с зубчатым венцом

ТЕХНИЧЕСКИЕ ПАРАМЕТРЫ:

МОДЕЛЬ	TUW550
Напряжение питания	220-240 В
Частота тока питания	50 Гц
Потребляемая мощность	550 Вт
Частота вращения без нагрузки	0-2800 /мин
Сверлильный патрон (ключевой)	13 мм
Максимальный диаметр сверления	сталь - 10 мм
	древесина - 25 мм
Вес (без принадлежностей)	2,7 кг
Класс оборудования	II
Степень защиты	IP20
Уровень звукового давления (LpA)	88 дБ(A)
Уровень звуковой мощности (LwA)	99 дБ(A)
погрешность измерения KpA/KwA=3 дБ(A)	
Уровень вибрации согласно стандарту EN 60745	
сверление в металле a _{вд}	3,42 м/с ²
погрешность измерения K=1,5 м/с ²	

Указанный уровень вибрации соответствует основным применениям электроинструмента. Если электроинструмент будет использован для других применений или с другими рабочими инструментами, а также, если не будет выполнен соответствующий технический уход, уровень вибрации может отличаться от указанного. Указанные выше причины могут привести к усилению воздействия вибраций в течение всего времени работы.

Необходимо применять дополнительные меры безопасности с целью защиты оператора от воздействия вибрации, а именно: технический уход за электроинструментом и рабочими инструментами, обеспечение соответствующей температуры рук, определение очередности рабочих операций.

ПРЕЖДЕ ЧЕМ ПРИСТУПИТЬ К РАБОТЕ:

1. Убедиться, что параметры источника питания соответствуют параметрам дрели, указанным на её шитке.
2. Убедиться, что выключатель дрели находится в положении «выключено» и блокировка выключателя (3) выключена. Запрещено откладывать работающую дрель при включенной блокировке. Выключение блокировки производится повторным нажатием выключателя (4).
3. При работе с удлинителем шнура электропитания необходимо убедиться, что его параметры, сечение проводов соответствуют параметрам дрели. Рекомендуется применять максимально короткие удлинители. Удлинитель должен быть полностью размотан.

ВОВРЕМЯ РАБОТЫ:

■ Выбор сверла

При сверлении в металле, пластмассе, древесине (для диаметра отверстия не более 6 мм) применять сверла для металла.

При сверлении в древесине отверстием диаметром больше 6 мм применять сверла для древесины.

■ Крепление сверла

Вставить сверло до упора в открытый сверлильный патрон (1) и зафиксировать его путём сжатия зажимных губок вращающимся внешним кольцом при помощи ключа (7), используя по очереди три отверстия в корпусе патрона (см. рис. В).

■ Изменение направления вращения

Передвинуть переключатель направления вращения (2) до упора в соответствующее положение. Символы на корпусе возле выключателя: ➡ - вращение по часовой стрелке, ⬅ - вращение против часовой стрелки.

ВНИМАНИЕ: Ни в коем случае не переключать направление вращения, если патрон дрели (1) вращается.

■ Включение / выключение

Для включения электроинструмента необходимо нажать выключатель (4) и поддерживать в нажатом состоянии.

Чтобы зафиксировать выключатель в положении «включено» следует нажать кнопку блокировки выключателя (3).

Для выключения электроинструмента, следует отпустить выключатель (4), а если он зафиксирован кнопкой блокировки (3), нажать на него на короткое время и затем отпустить.

■ Изменение скорости вращения

Увеличивая или уменьшая нажим на выключатель (4) можно плавно регулировать частоту вращения.

При слабом нажиме на выключатель (4) скорость вращения будет малой. При более сильном нажиме скорость вращения увеличивается.

■ Регулировка частоты (скорости) вращения

Регулятором частоты вращения (5) можно установить требуемую частоту (скорость) вращения. Это можно осуществлять также во время работы.

Требуемая частота вращения зависит от обрабатываемого материала и условий работы. Можно её определить методом практической пробы.

СМЕНА ПАТРОНА ДРЕЛИ:



ВНИМАНИЕ: Прежде чем приступить работе с электроинструментом, необходимо извлечь электрели из розетки.

Патрон в дрели с вращением вправо / влево зафиксирован при помощи винта с левой резьбой. Перед сменой патрона дрели необходимо вывинтить этот винт при помощи соответствующей крестообразной отвёртки (PH2) спереди через отверстие патрона дрели.

Винт с левой резьбой можно открыть только вращением вправо.

Чтобы снять патрон дрели (1), необходимо установить дрель на стабильном основании, напр. на рабочем столе и насадить рожковый ключ (14 мм) на лыски, имеющиеся на шпинделе.

Придерживая патрон одной рукой, другой рукой вращать ключ против часовой стрелки, до полного свинчивания патрона со шпинделя (см. рис. С).

Монтаж сверлильного патрона производится в обратной последовательности.

На гнезде и на резьбе шпинделя не должно быть какого-либо загрязнения.

УКАЗАНИЯ ПО РАБОТЕ УСТРОЙСТВА:

- После длительной работы с малой скоростью вращения необходимо с целью охлаждения запустить электроинструмент в работу с максимальной скоростью вращения без нагрузки в течение примерно 3 мин.
- Для сверления отверстий в керамической плитке необходимо использовать свёрла для стекла и керамики.
- Для сверления металла необходимо применять только острые свёрла для металла.

ВНИМАНИЕ: Выбор соответствующего сверла для каждого вида работы обеспечивает снижение вибрации во время сверления, что в значительной степени повышает производительность сверления.

- При ввинчивании/вывинчивании винтов/гаек следует прикладывать рабочий инструмент к винту/гайке, когда патрон дрели не вращается.

ХРАНЕНИЕ И ТЕХНИЧЕСКИЙ УХОД:

Дрель в принципе не требует специальных процедур по техническому уходу. Дрель следует хранить в месте, недоступном для детей, содержать в чистоте, защищать от влаги и попадания пыли. Условия хранения должны исключать возможность механических повреждений и влияния атмосферных условий.

После сверления в условиях сильной запыленности рекомендуется выполнить продувку сжатым воздухом вентиляционных отверстий и патрона дрели. Это предотвратит повреждение подшипников и устранил пыль, блокирующую приток воздуха, охлаждающего двигатель.

ТРАНСПОРТИРОВКА:

Дрель следует транспортировать и складировать в упаковке, защищающей от влаги, проникновения пыли и мелких объектов, особенно необходимо защитить вентиляционные отверстия.

Мелкие элементы, попавшие вовнутрь корпуса, могут повредить двигатель.

ТИПИЧНЫЕ НЕИСПРАВНОСТИ И ИХ УСТРАНЕНИЕ:

Дрель не работает:

- проверить правильно ли присоединён кабель электропитания (6) и проверить предохранители;

Имеются перерывы в работе дрели или чрезмерное искрение:

- проверить и заменить угольные щётки.

ВНИМАНИЕ! Замену угольных щёток может выполнить только электрик с соответствующим допуском.

- если электроинструмент не работает, несмотря на наличие напряжения питания, необходимо передать его в ремонтный сервисный пункт по адресу, указанному в гарантийной карте.

ПРОИЗВОДИТЕЛЬ:

ООО «ПРОФИКС»,
ул. Марьевильска 34,
03-228 Варшава, Польша

ЗАЩИТА ОКРУЖАЮЩЕЙ СРЕДЫ:



ВНИМАНИЕ: Представленный символ означает запрещение размещения использованного оборудования вместе с другими отходами (за это грозит наказание в виде штрафа). Опасные компоненты, имеющиеся в

электрическом и электронном оборудовании отрицательно влияют на окружающую среду и здоровье человека.

Домашнее хозяйство должно способствовать восстановлению и повторному использованию (рециклированию) использованного оборудования. В Польше и в Европе создаётся или уже существует система сбора использованного оборудования, в рамках которой все пункты продажи в/у оборудования обязаны принимать использованное оборудование. Кроме того, имеются пункты приёма в/у оборудования.

ПИКТОГРАММЫ:

Описание знаков, имеющихся на щитке и информационных наклейках на электроинструменте.



«Перед подключением и началом работы необходимо прочитать инструкцию по эксплуатации»



«Использовать средства защиты глаз»



«Использовать средства защиты органов слуха»



«Использовать средства защиты верхних дыхательных путей»



Политика компании PROFIX - это политика постоянного совершенствования своих изделий, и поэтому компания сохраняет за собой право изменения спецификации изделия без предварительного уведомления. Изображения, имеющиеся в инструкции, являются примерными и могут незначительно отличаться от фактического вида приобретённого электроинструмента.

Настоящая инструкция по эксплуатации защищена авторскими правами. Запрещено её копирование и размножение без согласия ООО «ПРОФИКС».

**ÎNAINTE DE UTILIZARE, CITIȚI ACESTE INSTRUCȚIUNI.**

Păstrează instrucțiunile pentru o folosire viitoare.

ATENȚIE! Citește toate avertismentele referitoare la protecția muncii marcate cu simboluri ⚠ și toate indicațiile referitoare la utilizarea în siguranță.



Nerespectarea avertismentelor de mai jos, poate duce la accidente și la electrocutare, incendiu și/sau la vătămări corporale.

Păstrează toate avertismentele și indicațiile referitoare la protecția muncii, pentru a le folosi în viitor.

În avertismentele de mai jos, termenul "unealtă electrică" înseamnă *unealtă care este alimentată de la rețea (cu cablu de alimentare) sau unealtă electrică alimentată din baterie (fără cablu).*

**ATENȚIE! Reguli generale de protecție a muncii.****Siguranța la locul de muncă:**

- La locul de muncă păstrează curățenii și bună iluminare.** Zonele și bancurile de lucru aglomerate cheamă accidente.
- Nu utilizezi unealta electrică în atmosferi explozive, formate din lichide inflamabile, gaze sau lichide.** Unelata electrică produce scântei, care pot aprinde praful sau aburii.
- Țineți copiii departe de locurile în care unelata electrică este folosită.** Distragerea atenției poate duce la pierderea atenției asupra uneltei electrice.

**ATENȚIE! Reguli generale cu privire la utilizarea în siguranță a uneltei.****Siguranța electrică:**

- Ștecherul uneltei electrice trebuie să fie conforme cu priza.** Este interzisă modificarea ștecherului. Este interzisă utilizarea prelungitoarelor în cazul uneltelor electrice cu cablu de legare la pământ de protecție. Nemođificarea ștecherelor și a prizelor micșorează riscul de electrocutare.
- Evitați să atingeți suprafața de împământare sau conectările la masă, cum ar fi conducte, radiatoare, radiatoare de încălzire centrală și frigidere.** În cazul atingerii părților împământate, crește riscul de electrocutare.
- Nu expuneți sculele electrice în condiții de ploaie sau mediu umed.** În caz de infiltrație cu apă, crește riscul de electrocutare.
- Nu abuzați de cablurile de conectare.** Nu folosiți cablul de alimentare la mutarea, tragerea uneltei sau tragerea ștecherului din priză. Păstrați cablul de alimentare departe de surse de căldură, ulei, muchi ascuțiți sau părți în mișcare. Cablurile deteriorate sau încurcate cresc riscul de electrocutare.
- În cazul în care unelata electrică este folosită în aer liber, conectarea trebuie efectuată cu ajutorul prelungitoarelor destinate funcționării în aer liber.** Folosirea prelungitorului destinat funcționării în aer liber, micșorează riscul de electrocutare.
- În cazul în care unelata electrică este folosită în mediu umed, este inevitabilă, utilizarea unui dispozitiv de protecție împotriva tensiunii de alimentare, cum ar fi aplicarea unui dispozitiv de curent rezidual (RCD).** Folosirea RCD micșorează riscul de electrocutare.

**ATENȚIE! Avertismente generale cu privire la siguranța folosirii uneltei.****Siguranță personală:**

- Acest echipament nu este destinat utilizării de către persoane (inclusiv copii) cu abilități fizice reduse, senzoriale sau mentale, sau de persoane care nu au experiență sau nu cunosc echipamentul, cu excepția cazului în care are loc sub supraveghere sau în conformitate cu instrucția de folosire a echipamentului, de către o persoană responsabilă pentru siguranța lor.**
- Trebuie să fii atent, să aveți grijă ce faceți și să păstrați bun simț în timpul folosirii uneltei electrice.** Nu folosiți unelata electrică, când sunteți oboșiți sau sub influența drogurilor, alcoolului sau a medicamentelor. *Un moment de neatenție în timpul lucrului cu unelata electrică poate cauza vătămări personale grave.*
- Folosiți echipament de protecție.** Purtați întotdeauna ochelari de protecție. *Folosind echipamentul de protecție cum ar fi masca de praf, pantofi cu anti-alunecare, căști sau protecție auditivă, micșorăm riscul de vătămare.*
- Evitați pornirea accidentală.** Înainte de conectarea la sursa de alimentare și/sau înainte de conectarea bateriei și înainte de ridicarea sau mutarea uneltei asigurativă că comutatorul uneltei electrice este în poziția oprită. *Mutarea uneltei electrice cu degetul pe comutator sau conectarea uneltei electrice la rețeaua de alimentare în poziția pornită poate provoca un accident.*
- Înainte de pornirea uneltei electrice îndepărtați toate uneltele din apropiere.** *Lăsarea de unelte pe părțile de mișcare ale uneltei electrice poate duce la vătămări corporale.*
- Nu vă aplecați prea mult.** Trebuie să stați sigur și să mențineți echilibrul. *Acest lucru va permite un control mai bun asupra uneltei electrice în situații neașteptate.*
- Îmbrăcați-vă corespunzător.** Nu purtați haine largi sau bijuterii. *Țineți părul strâns, hainele și mănușile departe de părțile în mișcare. Hainele largi, bijuteria sau părul lung se pot agăța de părțile în mișcare.*
- Dacă echipamentul este potrivit pentru conectarea extractorului de praf extern și a colectorului de praf, asigurați-vă că acestea sunt conectate și folosite corect.** *Folosirea colectorului de praf poate reduce riscul de pericole legate de prăfuit.*

**ATENȚIE! Avertismente generale cu privire la folosirea în siguranță a uneltei.****Utilizarea și îngrijirea uneltei electrice:**

- Nu supraîncărcați unelata electrică.** Utilizați o unealtă electrică în funcție de puterea necesară muncii efectuate. *Unelata electrică corectă va permite o funcționare mai bună și este sigură în cazul însărcinării, pentru care a fost proiectată.*
- Este interzisă utilizarea uneltei electrice dacă comutatorul nu pornește și nu oprește unelata.** *Fiecare unealtă electrică care nu pornește sau nu se oprește este periculoasă și trebuie reparată.*

- c) **Deconectați ștecherul de la sursa de alimentare a unelei electrice și/sau deconectați bateria înainte de orice setare, schimbare de părți sau depozitare. Aceste mijloace de protecție reduc riscul unei porniri accidentale a unelei electrice.**
- d) **Unealta electrică nefolosită trebuie depozitată departe de copii și nu trebuie împrumutată persoanelor care nu cunosc unealta electrică sau care nu au citit această instrucție de folosire a unelei electrice. Unealta electrică este periculoasă când este folosită de o persoană fără experiență.**
- e) **Unealta electrică trebuie bine întreținută. Trebuie controlată alinierea sau buierea pieselor în mișcare, ruperea pieselor și alți factori care pot avea influență la funcționarea unelei electrice. Dacă găsim o deteriorare, unealta electrică înaintea folosirii trebuie reparată. Cauza multor accidente este întreținerea necorespunzătoare a unelei electrice.**
- f) **Unelele de tăiere trebuie să fie ascuțite și curate. Întreținerea părților ascuțite ale uneltelor de tăiere reduce riscul de blocare în material și ușurează folosirea.**
- g) **Unealta electrică, echipamentul, unelele de lucru, etc. trebuie folosite în conformitate cu această instrucție, ținând cont de tipul și condițiile de lucru. Utilizarea unelei electrice în alt mod decât este destinația, poate duce la situații periculoase.**
- h) **La temperaturi scăzute, sau după o perioadă îndelungată de nefolosire, este recomandată pornirea unelei electrice fără sarcină pentru câteva minute pentru a distribui corect unsoarea în mecanismul de transmisie.**
- i) **Pentru curățirea unelei electrice folosiți o cârpă moale, umedă (nu udă) și săpun. Nu folosiți benzină, diluanți sau alte mijloace care pot deteriora echipamentul.**
- j) **Unealta electrică trebuie depozitată/transportată numai după ce ne-am asigurat că toate elementele în mișcare sunt blocate și asigurate cu ajutorul elementelor originale destinate blocării.**
- k) **Unealta electrică trebuie păstrată într-un loc uscat, asigurat împotriva prafului și a umezelii.**
- l) **Transportul unelei electrice trebuie să aibă loc în ambalajul original, asigurat împotriva deteriorărilor mecanice.**



ATENȚIE! Avertismente generale cu privire la folosirea în siguranță a unelei.

Repararea:

- a) **Repararea unelei electrice trebuie efectuată de persoane calificate, care folosesc doar piese de schimb originale. Acest lucru asigură că folosirea unelei electrice va fi în siguranță.**



ATENȚIE!

În timpul utilizării unelei electrice se recomandă respectarea regulilor de bază ale siguranței muncii, pentru a evita incendiile, electrocutarea sau vătămări mecanice.



ATENȚIE! MAȘINĂ DE GĂURIT, avertizări referitoare la siguranță –

Siguranța personală:

- a) **Utilizați protecție auditivă în timpul utilizării mașini de găurit. Expunerea la zgomot poate provoca pierderea auzului.**
- b) **În timpul lucrului, când este posibil, ca unealta să**

nimerească cabluri electrice ascunse sau propriul cablu de alimentare, unealta electrică trebuie ținută de părțile izolate ale mânerelor. Contactul cu cablul rețelei de alimentare aflate sub tensiune poate cauza transmiterea tensiunii pe părțile metalice ale unelei electrice, fapt ce poate cauza electrocutarea.

- c) **Utilizați instrumente adecvate de localizare a cablurilor ascunse de alimentare sau cereți ajutor de la instituțiile municipale. Contactul cu cablurile aflate sub tensiune poate cauza apariția incendiului sau electrocutarea. Deteriorarea țevii de gaz poate cauza explozie. Perforarea conductei de apă și canalizare poate cauza pagube materiale sau electrocutare.**
- d) **Nu prelucrați materiale care conțin azbest. Azbestul este considerat a fi cancerigen.**
- e) **Locul de muncă trebuie păstrat curat. Amestecul de materiale este foarte periculos. Pulberile de metal ușor se pot aprinde sau exploda.**
- f) **Asigurați elementul prelucrat. Asigurați-vă că toate elementele de fixare sunt bine strânse și verificați să nu fie prea mari distanțe. Fixarea elementului prelucrat în echipamentul de fixare sau menghină este mai sigur decât ținerea elementului cu mâna.**
- g) **Unealta electrică în timpul utilizării trebuie ținută cu ambele mâini, menținând o poziție stabilă. Utilizarea unelei electrice este mai sigură dacă este ținută cu ambele mâini.**
- h) **Oprii imediat unealta electrică, dacă se blochează unealta folosită. Fiți pregătiți pentru vibrații puternice, care pot duce la recul. Unealta utilizată se blochează când: unealta electrică este suprînsărcinată, sau când se îndoaie în element.**
- i) **Deconectați imediat unealta de la rețeaua electrică în timpul pauzei, în timpul înlocuirii capetelor, întreținerii, curățării sau reglării. Înainte de așezarea unelei electrice pe banc, așteptați până aunealta se oprește. Unealta folosită se poate bloca și duce la pierderea controlului asupra acesteia.**
- j) **Este interzisă utilizarea unelei electrice cu cablul electric deteriorat. Nu atingeți cablul deteriorat; în cazul deteriorării cablului în timpul utilizării, deconectați ștecherul din priză. Cablurile deteriorate măresc riscul de electrocutare.**
- k) **Dacă cablul de alimentare al unelei electrice este deteriorat, acesta trebuie înlocuit cu un cablu de alimentare accesibil în rețeaua de service.**

DESTINAȚIA ȘI CONSTRUCȚIA BORMAȘINII:

Mașină de găurit este destinată executării de găuri de foraj în lemn, metal, ceramice și materiale plastice. Unealta este echipată cu sistem de reglare electronică și schimbare direcție în dreapta/stânga și poate fi folosită deasemenea pentru înșurubarea/deșurubarea de șuruburi sau filetare.

Este strict interzisă utilizarea echipamentului în orice alt scop.

Mașină de găurit este activată de un motor monofazic și desti-nată lucrărilor de casă cu intensitate medie. Nu este adecvată pentru lu-crări de lungă durată în condiții grele. **Este interzisă folosirea unelei pentru executarea de lucrări care necesită unelte profesionale.**

Fiecare utilizare a unelei electrice neconformă cu destinația acesteia, așa cum a fost indicată mai sus, este interzisă și atrage după sine pierderea garanției precum și privarea de răspundere a producătorului

pentru pagubele apărute în urma acestor.

Toate modificările aparatului efectuate de utilizator îl exceptă pe producător de responsabilitate pentru pagubele provocate utilizatorului și mediului.

Utilizarea corespuțătoare a unei electrice se referă de asemenea și la întreținerea, depozitarea, transportul și reparațiile aparatului.

Unealta electrică poate fi reparată doar în punctele de service menționate de producător. Aparatele alimentate la rețea trebuie să fie reparate doar de persoane calificate în acest sens.

În ciuda utilizării în conformitate cu destinația, nu pot fi eliminați în totalitate anumiți factori de risc. Datorită construcției și proiectării, putem întâlni următoarele pericole:

- Atingerea cu mâna a burghiului în mișcare, a îmbrăcăminții, sau cu cablul de alimentare.
- Arsuri în timpul înlocuirii burghiului. (În timpul funcționării burghiului se încălzește, și pentru a evita arsurile în timpul înlocuirii folosiți mânășii de protecție).
- Reculul elementului prelucrat sau a părților acestuia.
- Curbare/rupere a burghiului.

■ Elemente

- Mașină de găurit - 1 buc.
- Cheie mandrina - 1 buc.
- Instrucții de folosire - 1 buc.
- Fișa de garanție - 1 buc.

■ Elementele uneltei (vezi fig: A, B, C):

Numerotarea elementelor uneltei este prezentată în figura aflată pe pagina 2 a acestei instrucții de folosire:

1. Mandrină cu coroana dințată
2. Comutator de schimbare direcție de rotare
3. Blocada întrerupătorului
4. Întrerupător pornit/oprit
5. Buton reglare viteză de rotare
6. Cablu de alimentare
7. Cheie pentru mandrina cu coroana dințată

DATE TEHNICE:

MODEL	TUW550
Tensiunea de alimentare	220-240 V
Frecvența de alimentare	50 Hz
Puterea	550 W
Viteza de rotire în gol	0-2800 /min
Mandrină (cu coroana dințată)	13 mm
Diametrul maxim de foraj	oțel - 10 mm
	lemn - 25 mm
Greutatea (fără accesorii)	2,7 kg
Clasa echipamentului	II
Protecția	IP20
Nivelul presiunii acustice LpA	88 dB(A)
Nivelul puterii acustice LwA	99 dB(A)
incertitudine KpA/KwA=3 dB(A)	
Nivelul de vibrație conform normie EN 60745	
Găurire în metal a ₀	3,42 m/s ²
incertitudine K=1,5 m/s ²	

Nivelul menționat de vibrații este reprezentativ pentru utilizarea aparatului electric. Dacă aparatul electric va fi utilizat pentru alte scopuri sau cu alte instrumente de lucru precum și dacă nu va fi întreținut corespuțător, nivelul de vibrații ar putea diferi de cel indicat. Motivele indicate mai sus pot duce la sporierea nivelului de expunere la vibrații pe toată durata timpului de funcționare.

Trebuie să introducereți mijloace adiționale de siguranță, care au scopul de a proteja operatorul de efectele de expunere la vibrații, de ex.: întreținere aparat electric și instrumente de lucru, asigurarea temperaturii corespuțătoare a mâinilor, stabilirea ordinii operațiilor de muncă.

ÎNAINTE DE UTILIZARE:

1. Asigurați-vă că sursa de alimentare are parametrii corespuțători parametrilor mașinei indicați în tabelul nominal.
2. Asigurați-vă că întrerupătorul mașinei este în poziția oprită și blocada întrerupătorului (3) este eliberată. Este interzisă lăsarea mașinei când blocada este activă. Oprirea blocadei are loc prin apăsarea suplimentară a întrerupătorului (4).
3. În cazul utilizării prelungitorului, asigurați-vă că parametrii prelungitorului, secțiunea cablurilor, sunt conforme cu parametrii mașinei. Recomandăm folosirea prelungitoarelor cât mai scurte. Prelungitorul trebuie să fie defășurat în întregime.

ÎN TIMPUL UTILIZĂRII:

■ Alegerea burghiului

La forarea metalului, materialelor plastice, lemnului (cu diametrul orificiului până la 6 mm) folosiți burghie pentru metal.

La forarea în lemn a orificiilor cu diametrul mai mare de 6 mm folosiți burghie pentru lemn.

■ Fixarea burghiului

Se introduce burghiul până la capăt în capul slăbit (1) și îl blocăm prin apăsarea fâlcilor cu ajutorul răsucirii inelului exterior cu ajutorul cheii (7), folosind pe rând cele trei orificii ale carcasei capătului (vezi fig: B).

■ Schimbarea direcției de rotație

Deplasați comutatorul direcției de rotare (2) până la capăt în poziția corespuțătoare. Notare pe carcasa întrerupătorului: ➡ - rotare conformă cu direcția acelor de ceas, ➡ - rotare în direcție opusă direcției acelor de ceas.

ATENȚIE: Este interzisă schimbarea direcției de rotare când capul bormașinei (1) este în mișcare.

■ Pornire/Oprire

Pentru a porni unealta electrică apăsați întrerupătorul (4) și ținați-l apăsat.

Pentru a bloca întrerupătorul în poziția pornit apăsați blocada întrerupătorului (3).

Pentru a opri unealta electrică întrerupătorul (4) trebuie eliberat, sau când este blocat cu blocada (3), apăsați-l scurt și apoi eliberați-l.

■ Reglarea vitezei de rotire

Prin mărirea sau micșorarea apăsării pe întrerupător (4) putem regla viteza de rotire.

O ușoară apăsare pe întrerupător (4) duce la o viteză de rotare mică. Apăsare mărită, mărește viteza de rotire.

■ Setarea vitezei de rotire

Butonul de reglare viteză de rotire (5) poate fi setat în funcție de viteză

dorită. Puteți seta viteza și în timpul funcționării.

Viteza de rotire dorită este aleasă în funcție de materialul prelucrat și condițiile de muncă, și o putem seta în timpul unei probe practice.

ÎNLOCUIREA MANDRINEI DE FORAJ:



ATENȚIE: Înainte de orice schimbare la unealta electrică, trebuie deconectat ștecherul din priză de alimentare.

Mandrina de foraj în mașină cu rotire în dreapta/stânga este blocată cu ajutorul șurubului cu filet de stânga. Înainte de înlocuirea mandrinei este necesară deșurubarea acestui șurub cu ajutorul șurubelniței corespunzătoare (PH2) din partea din față prin orificiul mandrinei de foraj.

Șurubul cu filet de stânga poate fi deșurubat doar prin răsucire în dreapta.

Pentru a demonta mandrina (1) așezați mașina de găurit pe o suprafață stabilă, de ex. pe banca de lucru și așezați cheia cu furcă (14 mm) în inciziile situate în ax. Țineți mandrina cu o mână și cu cealaltă rotiți cheia în direcția opusă mișcării acelor de ceas, până ce desfiletați mânerul (vezi fig. C).

Montarea mandrinei se efectuează în ordinea inversă.

În soclul mânerului și pe filetul axului nu trebuie să se afle nici un fel de impurități.

INDICAȚII REFERITOARE LA UTILIZARE:

- După o utilizare îndelungată cu viteză mică de rotire, porniți unealta electrică în gol pentru răcire timp de aproximativ 3 minute la viteza maximă.
- La forajul în metal, utilizați doar burghie ascuțite pentru metal.

ATENȚIE: Alegerea burghiului corect pentru fiecare tip de proces asigură micșorarea vibrațiilor în timpul forajului, fapt care îmbunătățește forarea.

- La înșurubarea/deșurubarea șuruburilor/piulițelor, apropiați capătul de șurub/piuliță când axul bormașinei se rotește.

DEPOZITAREA ȘI ÎNTREȚINEREA:

Unealta nu necesită o întreținere specială. Unealta trebuie depozitat într-un loc uscat, nu la îndemâna copiilor, trebuie menținută curată, protejată de umezeală și praf. Condițiile de depozitare trebuie să elimine posibilitatea de deteriorare mecanică sau efectele nocive ale diferitelor condiții atmosferice.

După forajul praful apărut trebuie îndepărtat cu ajutorul aerului comprimat de pe orificiile de ventilare și mâner. Împiedică deteriorarea lagărelor și îndepărtează pulberea care blochează intrarea aerului de răcire în motor.

TRANSPORT:

Mașina de găurit trebuie transportată și depozitată în ambalaj care o protejează împotriva umezelii, prafului și a obiectelor mici, mai ales trebuie asigurare orificiile de ventilare. Elementele mici care infiltrează

carcasa pot duce la distrugerea motorului.

DEFECTIUNI TIPICE ȘI ÎNDEPĂRTAREA ACESTORA:

Mașina de găurit nu funcționează:

- controlați dacă cablul de alimentare (6) este conectat corect sau controlați siguranțele,

Mașina de găurit «întrerup» sau face scântei:

- controlați și înlocuiți peiile de carbon.

ATENȚIE! Înlocuirea peiilor de carbon poate fi efectuată doar de un electric autorizat.

- dacă unealta electrică nu funcționează, chiar dacă este conectată la alimentare, trebuie trimisă la un service autorizat pe adresa indicată în fișa de garanție.

PRODUCĂTOR:

PROFIX Sp. z o.o.
str. Marywilka 34,
03-228 Varșovia, POLONIA

PROTECȚIA MEDIULUI ÎNCONJURĂTOR:



ATENȚIE: Simbolul prezentat înseamnă interdicția de a amplasa aparatul uzat împreună cu alte deșeuri (sub amenințarea unei amenzi). Componentele periculoase aflate în aparatul electric și electronic influențează negativ mediul natural și sănătatea oamenilor.

Fiecare gospodărie casnică trebuie să contribuie la redobândirea și refolosirea (recycling) aparatului uzat. Atât în Polonia, cât și în Europa se organizează sau deja există sistemul de culegere a aparatului uzat, în cadrul căruia toate punctele de vânzare a respectivei aparaturi sunt obligate să preia aparatul uzat. În plus, există centrele de colectare a acestuia tip de aparatură.

PICTOGRAME:

Explicațiile imaginilor de pe tabelul nominal și de pe etichetele informative.



— «Înainte de cuplare și de a începe operarea trebuie să citiți prezenta instrucțiune»



— «Folosiți întotdeauna ochelari de protecție»



— «Folosiți mijloace de protecție auditivă»



— «Folosiți întotdeauna măști de praf»



Politica firmei PROFIX este aceea de perfecționare continuă a produselor sale și de aceea firma își rezervă dreptul de modificare a specificației produsului fără înștiințarea anterioară. Imaginile indicate în instrucțiunile de utilizare sunt doar exemple și se pot diferi puțin de aspectul real al dispozitivului achiziționat.

Prezenta instrucțiune este protejată prin dreptul de autor. Copierea/înmulțirea fără acordul în scris al firmei PROFIX Sp. z o.o. este interzisă.



LIETOŠANAS INSTRUKCIJA URBMAŠĪNA TUW550


Oriģinālās instrukcijas tulkojums



PIRMS DARBA SĀKUMA NEPIECIEŠAMS IEPAZĪTIES AR ŠO INSTRUKCIJU.

Saglabā instrukciju varbūtējai turpmākai lietošanai.



BRĪDINĀJUMS! Nepieciešams izlasīt visus brīdinājumus apzīmētus ar simboliem , kuri attiecas uz lietošanas drošību un visus lietošanas drošības norādījumus.

Neievērojot zemāk uzrādītos drošības brīdinājumus un norādījumus attiecībā uz drošību var būt par elektriskās strāvas triecienu, ugunsgrēku un/vai nopietnu traumām iemesls.

Ievērot visus brīdinājumus un norādījumus attiecībā uz drošību, lai tos turpmāk varētu izmantot.

Zemāk uzrādītos brīdinājumos „elektroinstruments” nozīmē elektroinstrumentu, kurš tiek barots no elektriskā tīkla (ar barošanas vadu) vai elektroinstruments barots no akumulatora (bezvadu).



BRĪDINĀJUMS! Vispārējie instrumenta drošas lietošanu norādījumi.

Darba vietas drošība:

- Darba vietā nepieciešams uzturēt kārtību un labu apgaismojumu. Nekārtība un slikts apgaismojums ir negadījumu iemesls.
- Nedrīkst lietot elektroinstrumentu sprāgstošā, viegli uzliesmojošā, gāzu un putekļainā vidē. Elektroinstrumenta darbības laikā rodas dzirksteles, no kurām var aizdegties putekļi un tvaiki.
- Vietā, kur tiek lietoti elektroinstrumenti nevar atrasties bērni un novērotāji. Novērotot uzmanību var zaudēt kontroli par elektroinstrumentu.



BRĪDINĀJUMS! Vispārējie instrumenta drošas lietošanu norādījumi.

Elektriskā drošība:

- Elektroinstrumenta kontaktdakšīnām jābūt pielāgotām pie kontaktligzdām. Nekad nekādā gadījumā nedrīkst mainīt kontaktdakšīņu. Nedrīkst lietot nekādus pagarinātājus gadījumā, ja elektroinstruments ir apgādāts ar vadu ar aizsardzības iezemējuma dzislu. Ja netiek darītas kontaktdakšīņu un kontaktligzdu izmaiņas, tas samazina elektriskā triecienu risku.
- Nepieciešams izvairīties no iezemētām virsmām vai savienotām ar masu, kā piemēram caurules, sildītāji, centrālāpkures radiatoru un dzesinātāji. Gadījumā, ja notiek kontakts ar iezemētām vai ar masu savienotām daļām pieaug elektriskās strāvas triecienu risks.
- Nedrīkst pakļaut elektroinstrumentus uz lietus vai mitruma iedarbību. Gadījumā, ja elektroinstrumentā iekļūst ūdens pieaug elektriskās strāvas triecienu risks.
- Nedrīkst pārslogot savienojuma vadus. Nekad nedrīkst lietot savienojuma vadu elektroinstrumenta pārnēsāšanai, vilkšanai vai izvilkēt kontaktdakšīņu no kontaktligzdas aiz vada. Nepieciešams turēt savienojuma vadu tālu no siltuma avotiem, eļļainām, asām šķautnēm vai kustīgām daļām.

Bojāti vai sapīti savienojuma vadi palielina elektriskās strāvas triecienu risku.

- Gadījumā, ja elektroinstruments tiek lietots ārpusē, savienojuma vadus nepieciešams pagarināt ar pagarinātājiem, kuri ir piemēroti darbam ārpusē. Lietojot pagarinātājus piemērotus darbam ārpusē samazinās elektriskās strāvas triecienu risks.
- Gadījumā, ja ir nepieciešamība lietot elektroinstrumentu mitrā vidē, par sprieguma aizsardzību nepieciešams lietot strāvas starpības ierīci (RCD). Lietojot RCD samazinās elektriskās strāvas triecienu risks.



BRĪDINĀJUMS! Vispārējie instrumenta drošas lietošanu norādījumi.

Individuālā drošība:

- Šī ierīce nav pamerota lietot cilvēkiem (tai skaitā bērniem) ar ierobežotām fiziskām, jūtības un psihiskām spējām, vai cilvēkiem bez ierīces darbības pieredzes vai zināšanām, izņemot, ja tas notiek uzraudzībā vai saskaņā ar ierīces lietošanas instrukciju, ar kuru ir iepazinušs par drošību atbildīgas personas.
- Elektroinstrumenta lietošanas laikā nepieciešams būt tālredzīgiem, novērot kas notiek un saglabāt skaidru saprātu. Nedrīkst lietot elektroinstrumentu noguruma laikā vai narkotisku vielu, alkohola vai zāļu iedarbībā. Neuzmanības mirklis strādājot ar elektroinstrumentu var radīt nopietnas ķermeņa traumas.
- Nepieciešams lietot individuālos aizsardzības līdzekļus. Vienmēr nepieciešams lietot aizsargbrilles. Lietojot attiecīgos apstākļos aizsardzības līdzekļus, tādus kā putekļu maskas, neslidošus apavus, ķiveres vai dzirdes aizsardzības līdzekļus, samazināsies individuālās traumas.
- Nepieciešams izvairīties no neparedzētām kustībām. Pirms pieslēgšanas pie barošanas avota un/vai pirms akumulatora pieslēgšanas kā arī pirms tam, kad paceļam vai pārceļam ierīci nepieciešams pārliecināties, ka elektroinstrumenta slēdzis atrodas izslēgšanas stāvoklī. Pārnēsāt elektroinstrumentu ar pirkstu uz slēdža vai barošanas tīklā pieslēgtu elektroinstrumentu pie ieslēgta slēdža var būt negadījuma iemesls.
- Pirms elektroinstrumenta palaišanas nepieciešams novākt visas atslēgas. Atslēga atstāta rotējošā elektroinstrumenta tuvumā var radīt individuālas traumas.
- Nedrīkst pārlietu tālu izlikties. Visu laiku nepieciešams stāvēt stabili un saglabāt līdzsvaru. Tas dos iespēju neparedzētās situācijās labāk kontrolēt elektroinstrumentu.
- Nepieciešams attiecīgi ģērbties. Nedrīkst nēsāt vaļīgas apģērbus vai rotas lietas. Nepieciešams turēt savus matus, apģērbu un cimdus tālu no kustīgām daļām. Vaļīgs apģērbs, rotas lietas vai gari mati var tikt aizķerti ar kustīgām daļām.
- Ja ierīce ir pielāgota ārējai putekļu sūkšanai un putekļu uzsūkšanai, nepieciešams pārliecināties, ka tie ir pieslēgti un pareizi lietoti. Lietojot putekļu sūcēju var samazināt putekļu

ieelpošanas bīstamību.



BRĪDINĀJUMS! Vispārējie instrumenta drošas lietošanu norādījumi.

Lietošana un gādība par elektroinstrumentu:

- a) **Nedrīkst pārslogot elektroinstrumentu.** Nepieciešams piemērot elektroinstrumentu veiktajam darbam. Pareizs elektroinstrumentis nodrošinās labāku un drošāku darbu pie slodzes, kādam tas tika projektēts.
- b) **Nedrīkst lietot elektroinstrumentu, ja slēdzis to neieslēdz un neizslēdz.** Katrs elektroinstrumentis, kuru nevar ieslēgt vai izslēgt ar slēdzi ir bīstams un to nepieciešams labot.
- c) **Nepieciešams atvienot elektroinstrumenta kontaktdakšīņu no barošanas avota un/vai atslēgt akumulatoru pirms tiek veikta jebkāda uzstādīšana, detaļu maiņa vai instrumenta glabāšana.** Tādas drošības darbības reducē neparedzētu elektroinstrumenta palaišanu.
- d) **Nelietotu elektroinstrumentu nepieciešams glabāt bērniem nepieejamās vietās un nedrīkst atļaut personām, kuras nav iepazīnušas ar elektroinstrumentu vai šo lietošanas instrukciju lietot elektroinstrumentu.** Elektroinstrumenti ir bīstami neapmācītu lietotāju rokās.
- e) **Elektroinstrumentu nepieciešams konservēt.** Nepieciešams pārbaudīt asu sakrītību vai kustīgo daļu iekļīšanās, detaļu plīsumus un visus apstākļus, kuri varētu ietekmēt elektroinstrumenta darbu. Ja tiek konstatēti bojājumi, elektroinstrumentu pirms lietošanas nepieciešams salabot. Daudzu negadījumu iemesls ir nepareiza elektroinstrumenta konservācija.
- f) **Griezējinstrumentiem jābūt asiem un tīriem.** Attiecīgi uzturēti asi griezējinstrumenta asmeņi samazina iekļīšanās iespējas un atvieglo apkalpošanu.
- g) **Elektroinstrumentu, aprīkojumu, darba instrumentus un tml. nepieciešams lietot saskaņā ar šo instrukciju, ņemot vērā darba apstākļus un veicamo darbu.** Lietot elektroinstrumentu tam neparedzētā veidā var novest pie bīstamām situācijām.
- h) **Zemās temperatūrās vai pēc ilgāka nelietošanas laika, ieteicams uz pāris minūtēm ieslēgt elektroinstrumentu bez slodzes, lai piedziņas mehānismā sāktu pareizi darboties smērēļļa.**
- i) **Elektroinstrumentu tīrīšanai lietot mikstu, mitru (ne slapju) drānu un ziepes.** Nelietot benzīnu, šķīdinātājus un citus līdzekļus, kuri varētu sabojāt ierīci.
- j) **Elektroinstrumentu nepieciešams glabāt / transportēt iepriekš pārliecinoties, ka visas kustīgās daļas ir nobloķētas un nodrošinātas pret atbloķēšanu ar oriģināliem šim nolūkam paredzētiem elementiem.**
- k) **Elektroinstrumentu nepieciešams glabāt sausā, no putekļiem un mitruma sargātā vietā.**
- l) **Elektroinstrumenta transportēšanu jāveic oriģinālā iepakojumā, kurš pasargā no mehāniskiem bojājumiem.**



BRĪDINĀJUMS! Vispārējie instrumenta drošas lietošanu norādījumi.

Remonts:

- a) **Elektroinstrumenta remontu nepieciešams veikt tikai kvalificētam speciālistam, lietojot tikai oriģināls rezerves daļas.** Tas elektroinstrumenta lietotājam nodrošinās turpmāku drošību.



BRĪDINĀJUMS!

Darba laikā ar elektrisko instrumentu ieteicams vienmēr ievērot galvenos drošības principus, lai izvairītos no ugunsgrēka, elektriskās strāvas trieciena vai mehāniskām traumām.



BRĪDINĀJUMS!

URBJMAŠĪNA, drošības brīdinājumi – Individuālā drošība:

- a) **Strādājot ar urbjmašīnu lietot dzirdes aizsardzības līdzekļus.** Trokšņa iedarbība var zaudēt dzirdi.
- b) **Veicot darbus, kur darba instruments varētu trāpīt uz noslēptiem elektriskiem vadiem vai uz pašu barošanas vada, elektroinstrumentu nepieciešams turēt pie roktura izolētām virsmām.** Kontakts ar barošanas tīkla vadu, kurš ir zem sprieguma var radīt sprieguma pārņemšanu uz elektroinstrumenta metāla daļām kā rezultātā var notikt elektriskās strāvas trieciens.
- c) **Nepieciešams lietot attiecīgas meklēšanas ierīces, lai lokalizētu slēptus barošanas vadus vai lūgt pilsētas dienestu palīdzību.** Kontakts ar vadiem, kuri ir zem sprieguma var novest līdz ugunsgrēkam vai elektriskā strāvas triecienam. Gāzes vada bojājums var novest līdz sprādzienam. Ūdensvada pārraušana rada materiālus zaudējumus vai notikt elektriskās strāvas trieciens.
- d) **Neapstrādājiet materiālus, kas satur azbestu.** Azbestam piemīt kancerogēn asipāšības.
- e) **Darba vietu nepieciešams uzturēt tīru.** Materiālu maisījumi ir sevišķi bīstami. Metāla putekļi var viegli aizdegties un uzsprāgt.
- f) **Apstrādājamo priekšmetu nepieciešams nostiprināt.** Pārlecināties, ka visi stiprināšanas elementi ir nostiprināti un pārbaudīti, lai nebūtu pārmērīga pielāides. Apstrādājamo priekšmetu ir drošāk nostiprināt stiprināšanas ierīcē vai skrūvspīles nekā turēt to rokā.
- g) **Elektroinstrumentu darba laikā nepieciešams stipri turēt abās rokās, ievērot stabili pozīciju.** Elektroinstrumentu drošāk vadīt abās rokās.
- h) **Elektroinstrumentu nepieciešams nekavējoties izslēgt, kad bloķējas lietotais griezējinstrumentis.** Nepieciešams būt gatavam lielai vibrācijai, kura var radīt atmešanu. Lietotais instruments bloķējas, ja elektroinstrumentis ir pārslogots vai saliecas apstrādājamā priekšmetā.
- i) **Pārtraucot darbu, instrumentu maiņas, remonta, tīrīšanas vai regulēšanas laikā nepieciešams atslēgt mašīnu no elektriskā tīkla.** Pirms elektroinstrumenta nolikšanas pagaidīt līdz tas apstājas. Darba instruments var iebloķēties, kas rada ka tiek zaudēta kontrole par elektroinstrumentu.
- j) **Elektroinstrumentu nedrīkst lietot ar bojātu barošanas vadu.** Nedrīkst pieskarties pie bojāta vada; ja vads tiek bojāts darba laikā, nepieciešams izvilkt kontaktdakšīņu no kontaktlīdzdas. Bojāti vadi palielina elektriskās strāvas trieciena risku.
- k) **Ja elektroinstrumenta barošanas vads tiek bojāts, to jāapmaina ar savienojuma vadu, kurš ir pieejams servisa punktā.**

URBJMAŠĪNAS PIELIETOJUMS UN UZBŪVE:

Urbjmašīna ir paredzēta caurumu urbšanai kokā, metālā, keramikā un plastmasā. Ierīce ir apgādāta ar elektronisko regulēšanas sistēmu un labo/kreiso ātrumu, kā arī pielāgota skrūvju ieskrūvēšanai/izskrūvēšanai un vītņošanai.

Kategoriski izslēgts lietot ierīci citos nolūkos.

Urbjmašīna ar vienfāzes dzinēju piedziņu ir paredzēta mājas un vidēji lietišķiem darbiem. Nav piemērota ilgai darbībai smagos apstākļos.

Nedrīkst lietot ierīci veicot darbus, kur nepieciešams lietot profesionālas ierīces.

Aizliegts elektroinstrumentu pielietot neatbilstoši augstāk uzrādītam pielietojumam, tas rada garantijas zaudēšanu kā arī ražotājs neatbild par šādā veidā radītiem zaudējumiem.

Jebkādas ierīces modifikācijas, kuras veic lietotājs atbrīvo ražotāju no atbildības par bojājumiem un zaudējumiem, kuri nodarīti lietotājam un apkārtējiem.

Pareiza elektroinstrumenta lietošana attiecas arī uz konservāciju, glabāšanu, transportu un remontu.

Elektroinstrumentu drīkst lietot tikai ražotāja uzrādītās servisa punktos. Ierīces, kuras tiek barotas no elektriskā tīkla drīkst lietot tikai pilnvarotas personas.

Neskatoties uz pielietojumam paredzēto lietošanu nevar pilnībā izslēgt atsevišķus riska elementus. Ņemot vērā mašīnas konstrukciju un uzbūvi var rasties sekojošas bīstamības:

- Operatora rokas, apģērba vai barošanas vada pieskāšanās pie rotējošā urbjmašīnas daļas.
- Aplaušanās mainot urbi. (Darba laikā urbis ļoti stipri sakarst, lai novērstu aplaušanos to mainot nepieciešams lietot aizsargcimdus).
- Apstrādājamā priekšmeta vai tā daļu atmešana.
- Urbja saliekšanās/salaušana.

■ Komplektācija

- Triecienuurbjmašīna - 1 gab.
- Urbju patronas atslēga - 1 gab.
- Apkalpošanas instrukcija - 1 gab.
- Garantijas karte - 1 gab.

■ Ierīces elementi (skat. zīm.: A, B, C):

Ierīces elementu numerācija attiecas uz grafisko zīmējumu, kurš atrodas apkalpošanas instrukcijas 2.lapas pusē:

1. Atslēgas urbjmašīnas patrona
2. Apgriezienu virziena maiņas slēdzis
3. Slēdža bloķēšana
4. Slēdzis
5. Griešanās ātruma regulācija
6. Barošanas vads
7. Urbju patronas atslēga

TEHNISKIE DATI:

MODELIS	TUW550
Barošanas spriegums	220-240 V
Barošanas frekvence	50 Hz
Jauda	550 W
Griešanās ātrums bez slodzes	0-2800 /min
Urbjmašīnas patrona (atslēgas)	13 mm

Maksimālais urbšanas diametrs	tērauds - 10 mm
	koks - 25 mm
Masa (bez aprīkojuma)	2,7 kg
Ierīces klase	II
Aizsardzības pakāpe	IP20
Akustiskā spiediena līmenis LpA	88 dB(A)
Akustiskā jaudas līmenis LwA	99 dB(A)
mērijumu izkliede KpA/KwA=3 dB(A)	
Vibrācijas līmenis atbilstoši normai EN 60745	
Urbšana metālā a _{h0}	3,42 m/s ²
mērijumu izkliede K=1,5 m/s ²	

Uzrādītais vibrācijas līmenis ir reprezentatīvs elektroinstrumenta pamata lietošanai. Ja elektroinstrumentus tiek lietots citos nolūkos vai ar citiem darba instrumentiem, vai arī ja nebūs pietiekami konservēts, vibrācijas līmenis var atšķirties no uzrādītā. Augstāk uzrādītie iemesli var radīt vibrācijas ekspozīcijas palielināšanos visā darba laikā.

Nepieciešams realizēt papildus drošības līdzekļus, kuri pasargās operatoru no vibrācijas ekspozīcijas, piem.: Elektroinstrumenta un darba instrumenta konservācija, atbilstošas roku temperatūras nodrošināšana, darba operāciju veikšanas secības noteikšana.

PIRMS DARBA SĀKUMA:

1. Pārliedzināties, ka barošanas avota parametri atbilst parametriem uzrādītiem uz urbjmašīnas plāksnītes.
2. Pārliedzināties, ka urbjmašīnas slēdzis ir izslēgšanas stāvoklī un slēdža bloķēšana (3) ir atbrīvota. Nedrīkst noliekt strādājošu urbjmašīnu, kad bloķēšana ir ieslēgta. Bloķēšanas izslēgšana notiek atkārtoti nospiežot slēdzi (4).
3. Gadījumā, ja strādā ar pagarinātāju nepieciešams pārliedzināties, ka pagarinātāja parametri, vadu šķērsgrēzums atbilst urbjmašīnas parametriem. Ieteicams lietot pēc iespējas īsus pagarinātājus. Pagarinātājam jābūt pilnībā atītam.

DARBALAIKĀ:

■ Urbja izvēle

Urbjot metālā, plastmasā, kokā (cauruma diametrs līdz 6 mm) lietot metāla urbi.

Urbjot kokā caurumu diametrus lielākus par 6 mm lietot koka urbjus.

■ Urbja stiprināšana

Iebidīti urbi līdz atdurei atbrīvotā urbjmašīnas patronā (1) un nofiksēt to saspiežot zokļus ar ārējo gredzenu lietojot atslēgu (7), patronas korpusā atrodas attiecīgi trīs caurumi (skat. zīm.: B).

■ Apgriezienu virziena maiņa

Pārbidīt apgriezienu virziena maiņas slēdzi (3) līdz atdurei vēlamā stāvoklī. Apzīmējums pie slēdža uz korpusa: ➡ – apgriezieni pulksteņa rādītāja kustības virzienā, ➡ – apgriezieni pretēji pulksteņa rādītāja kustības virzienam.

UZMANĪBU: Nekad nepārlēgt darba režīmu, kad urbjmašīnas patrona (1) ir kustībā.

■ Ieslēgšana/izslēgšana

Lai ieslēgtu elektroinstrumentu nepieciešams nospiegt slēdzi (4) un turēt nospiegtu.

Lai bloķētu slēdzi ieslēgšanas stāvoklī nepieciešams nospiegt slēdža bloķēšanu (3).

Elektroinstrumentu izslēgšanai nepieciešams atbrīvot slēdzi (4), vai ja tas ir bloķēts ar bloķēšanu (3), nospiegt to uzbrīdi un atlaist.

■ **Apgriezienu ātruma regulēšana**

Palīelinot vai samazinot spiedienu uz slēdzi (4) var elastīgi regulēt griešanās ātrumu.

Viegls spiediens uz slēdzi (4) rada mazu apgriezienu ātrumu. Palielinot spiedienu palielinās griešanās ātrums.

■ **Apgriezienu ātruma uzstādīšana**

Ar ātruma regulāciju (5) var uzstādīt vēlamo apgriezienu ātrumu. To var darīt arī darba laikā.

Vēlamais apgriezienu ātrums ir atkarīgs no aprādājāmā materiāla un darba apstākļiem, un to var noteikt veicot praktisko mēģinājumu.

URBJMAŠINAS PATRONAS MAIŅA:



UZMANĪBU: *Pirms visiem elektroinstrumenta apkalpošanas darbiem nepieciešams izvilkt kontaktdakšīnu no kontaktlīdzdas.*

Urbjmašinas patrona urbjmašīnā ar labo/kreiso kustību ir stiprināta ar kreisās vītnes skrūvi. Pirms urbjmašinas patronas maiņas noteikti nepieciešams izskrūvēt šo skrūvi ar attiecīgu krustveida skrūvgriezi (PH2) no priekšpusē caur urbjmašinas caurumu.

Kreisās vītnes skrūvi var atbrīvot tikai griežot pa labi.

Urbjmašinas patronas (1) demontāžai nepieciešams novietot urbjmašīnu uz stabilas pamatnes, piem. uz darba galda un pie iegriezumiem, kuri atrodas uz vārpstas pielikt dakšveidīgo atslēgu (14 mm). Ar vienu roku tur patronu, bet ar otru roku pagriezt atslēgu pretēji pulksteņa rādītāja kustības virzienam līdz pilnīgai patronas izskrūvēšanai (zīm. C).

Urbjmašinas patronas montāža notiek atgriezeniskā kārtībā.

Patronas ligzdā un uz vārpstas vītnes nedrīkst atstāties nekādi netīrumi.

DARBA NORĀDĀJUMI:

- Pēc ilgāka darba ar mazu griešanās ātrumu, lai atdzesētu dzinēju nepieciešams ieslēgt elektroinstrumentu apm. 3 minūtes ar maksimālo griešanās ātrumu bez slodzes.
- Metāla urbsšanai lietot tikai asus metāla urbjus.

UZMANĪBU: *Attiecīga urbja izvēle katram darba veidam nodrošina urbsšanas vibrācijas samazināšanos, kas ievērojami palielina urbsšanas efektivitāti.*

- Ieskrūvējot/izskrūvējot skrūves/uzgriežņus darba uzgali pielikt pie skrūves/uzgriežņa, kad urbjmašīna negriežas.

GLABĀŠANA UN KONSERVĀCIJA:

Mašīnai būtībā nav nepieciešama speciāla konservācija. Mašīnu nepieciešams glabāt bērniem nepieejamā vietā, uzturēt tīru, sargāt no mitruma un putekļiem. Glabāšanas apstākļiem jāizslēdz mehānisko bojājumu iespēju kā arī atmosfēras apstākļu iedarbību.

Pēc urbsšanas, stipri putekļainā vidē ieteicams ventilācijas atveres un urbjmašinas rokturi izpūst ar saspiesto gaisu. Tas novērsīs gultņu

defektu, likvidēs putekļus, kuri bloķē dzinēja dzesēšanas gaisu.

TRANSPORTS:

Urbjmašīnu transportēt un glabāt iepakojumā, kurš sargā no mitruma, putekļiem un smalkiem elementiem, it īpaši nepieciešams nodrošināt ventilācijas atveres. Smalkie elementi, kuri iekļūst korpusa iekšpusē var sabojāt dzinēju.

TIPISKIE DEFEKTI UN TO NOVĒRŠANA:

Urbjmašīna nedarbojas:

- pārbaudīt vai barošanas vads (6) ir pareizi pieslēgts un pārbaudīt drošinātājus,

Urbjmašīna «pārtrauc darbu» vai dzirksteļo:

- pārbaudīt un apmainīt ogļišu suku.

UZMANĪBU! *Ogļišu suku var mainīt tikai pilnvarots elektriķis.*

- ja elektroinstrument nedarbojas, neskatoties uz to ka ir spriegums, to nepieciešams nosūtīt uz remonta servisa punktu. Adrese uzrādītas garantijas kartē.

RAŽOTĀJS:

PROFIX SIA, Maryvilska iela 34, 03-228 Varšava, Polija

VIDES AIZSARDZĪBA:



UZMANĪBU: *Tajā veidā apzīmētus izstrādājumus, neizpildes gadījumā paredzot naudas sodu, nedrīkst izmest kopā ar parastiem atkritumiem. Elektriskajā un elektroniskajā iekārtā esošās briesmīgas vielas var kaitēt apkārtējai videi un cilvēku veselībai.*

Nepieciešams veicināt iekārtu atkritumu pārstrādāšanai un atkārtotai izmantošanai (reciklēšanai). Polijā un Eiropā tiek veidots, vai jau eksistē, iekārtu atkritumu vākšanas sistēma, saskaņā ar ko visiem iepriekšminētās iekārtas pārdošanas punktiem ir pienākums pieņemt nolietotu iekārtu. Turklāt, ir pieejamas iepriekšminētās iekārtas vākšanas punkti.

PIKTOGRAMMAS:

Apzīmējumu skaidrojums, kuri atrodas uz plāksnītes un informācijas uzlīmēm.



«**Pirms ieslēgšanas un darba sākuma nepieciešams iepazīties ar šo instrukciju**»



«**Vienmēr lietot aizsargbrilles**»



«**Lietot dzirdes aizsardzības līdzekļus**»



«**Lietot putekļu maskas**»



Firma PROFIX politika ir nepārtraukta savu produktu pilnveidošanas politika, tāpēc firma sev rezervē tiesības ievest izstrādājuma specifiskācijas izmaiņas bez iepriekšējas paziņošanas. Zīmējumi, kuri uzrādīti apkalpošanas instrukcijā kalpo tikai kā piemērs un var nedaudz atšķirties no iegādātās ierīces reālā izskata.


Šī instrukcija ir sargāta ar autortiesībām. Aizliegts to kopēt/pavairot bez PROFIX SIA rakstiskas atļaujas.



PŘED ZAHÁJENÍM POUŽÍVÁNÍ SE SEZNAMTE S TÍMTO NÁVODEM.

Uchovávejte návod pro případné další použití.



POZOR! Přečtěte si všechny výstrahy týkající se bezpečnosti používání označené symbolem  a veškeré pokyny týkající se bezpečnosti používání.

Nedodržování uvedených bezpečnostních výstrah a bezpečnostních pokynů může být příčinou zásahu elektrickým proudem, požáru a/nebo závažných úrazů.

Uchovejte výstrahy a pokyny týkající se bezpečnosti pro případné použití v budoucnosti.

V níže uváděných výstrahách pojem „elektronářadí“ znamená elektronářadí napájené z elektrické sítě (elektrickým vodičem) nebo elektronářadí napájené baterií (bezdrátově).



VÝSTRAHA! Všeobecné výstrahy týkající se bezpečného používání nářadí.

Bezpečnost na pracovišti:

- Udržujte na pracovišti pořádek a zajistěte zde dobré osvětlení. *Nepořádek a špatné osvětlení často zapříčiňují nehody.*
- Nepoužívejte elektronářadí ve výbušném prostředí tvořeném hořlavými tekutinami, plyny nebo prachem. *Elektronářadí vytváří jiskry, které by mohly zapálit prach nebo výpary.*
- Nepouštějte děti ani jiné pozorovatele na místa, kde se používá elektronářadí. *Rušení pozornosti může způsobit ztrátu kontroly nad elektronářadím.*

VÝSTRAHA! Všeobecné výstrahy týkající se bezpečného používání nářadí.



VÝSTRAHA! Všeobecné výstrahy týkající se bezpečného používání nářadí.

Elektrická bezpečnost:

- Zástrčky nářadí musí odpovídat zásuvkám. Nikdy žádným způsobem nepředělávejte zástrčky. V případě elektronářadí, které má vodič s ochranným uzemněním, nepoužívejte žádné prodlužovačky. *Původní nepředělané zástrčky a zásuvky snižují riziko zásahu elektrickým proudem.*
- Vyvarujte se dotýkání uzemněných ploch nebo takových, které jsou spojené s hmotou, jako jsou trubky, ohříváče, radiátory ústředního topení a chladničky. *V případě dotýkání takových ploch a předmětů roste riziko zásahu elektrickým proudem.*
- Nevystavujte elektronářadí na působení deště nebo vlhka. *Pokud by se do elektronářadí dostala voda, roste riziko zásahu elektrickým proudem.*
- Kabely se nesmí žádným způsobem namáhat. Nikdy nepoužívejte kabel k nošení, tažení elektronářadí nebo k vytahování zástrčky ze zásuvky. Kabel musí být umístěný daleko od zdrojů tepla, oleje, ostrých hran nebo pohyblivých částí. *Poškozené nebo propletené kabely zvyšují riziko zásahu elektrickým proudem.*
- V případě, že se elektronářadí používá venku, je třeba prodlužovat elektrické kabely prodlužovací určenými na práci venku. *Používání prodlužovace určeného do venkovního*

prostředí snižuje riziko zásahu elektrickým proudem.

- Pokud je nezbytné použití elektronářadí ve vlhkém prostředí, je třeba použít jako ochranu proudový chránič (RCD).** *Použití RCD snižuje riziko zásahu elektrickým proudem.*



VÝSTRAHA! Všeobecné výstrahy týkající se bezpečného používání nářadí.

Osobní bezpečnost:

- Toto zařízení nesmí používat osoby (včetně dětí) s omezenou fyzickou, smyslovou nebo psychickou schopností, nebo osoby, které nemají odpovídající zkušenosti nebo znalosti zařízení, leda že je používají s příslušným dozorem, nebo v souladu s návodem na používání zařízení, který jim předají osoby zodpovědné za jejich bezpečnost.**
- Při používání elektronářadí je třeba být předvídatý, pozorovat, co se děje, a používat zdravý rozum. Nepoužívejte elektronářadí, pokud jste unavení nebo pod vlivem drog, alkoholu nebo léků.** *Chvilé nepozornosti při práci s elektronářadím může způsobit závažné osobní úrazy.*
- Je třeba používat osobní ochranné prostředky. Je třeba vždy používat ochranné brýle.** *Používání v příslušných podmínkách takových ochranných prostředků, jako je protiprachová respirační maska, protiskluzová obuv, přilba nebo chrániče sluchu, snižují nebezpečí osobních úrazů.*
- Je třeba se vyhnout neplánovanému spuštění. Před připojením k elektrickému zdroji a/nebo před zapojením baterie a než se nářadí zvedne, nebo přenesne, je třeba se ujistit, že je vypínač elektronářadí v poloze vypnuto. Přenášení elektronářadí s prstem na vypínači nebo připojení elektronářadí do sítě se zapojeným vypínačem může být příčinou nehody.**
- Před spuštěním elektronářadí je třeba odstranit všechny klíče.** *Ponechání klíče v otáčející se části elektronářadí může způsobit poranění.*
- Je zakázáno přilísi se naklánět. Po celou dobu musíte stát pevně a udržovat rovnováhu.** *Umožní Vám to dobře kontrolovat elektronářadí při nepředvídatelných situacích.*
- Je třeba mít vhodné oblečení. Při práci nenoste volné oblečení ani bižuterii. Je třeba zajistit, aby Vaše vlasy, oblečení a rukavice byly v bezpečné vzdálenosti od pohyblivých částí.** *Volné oblečení, bižuterie nebo dlouhé vlasy se mohou zachytit do pohyblivých částí.*
- Pokud je zařízení přizpůsobeno na napojení k vnějšímu odsávání prachu a pohlcovací prachu, ujistěte se, že jsou připojeny a řádně se používají.** *Použitím pohlcovací prachu můžete omezit nebezpečí závislé na prašnosti.*



VÝSTRAHA! Všeobecné výstrahy týkající se bezpečného používání nářadí.

Používání elektronářadí a péče o ně:

- Elektronářadí se nesmí přetěžovat. Je třeba používat elektronářadí s výkonem vhodným pro provádění určité práce.** *Správné elektronářadí umožní lepší a bezpečnější práci se zátěží, na kterou bylo naprojektováno.*

- b) Elektronářadí, u kterého nefunguje spínač, se nesmí používat. Každé elektronářadí, které nelze zapínat nebo vypínat spínačem, je nebezpečné a je třeba je opravit.
- c) Před provedením každého seřízení, výměny součástky nebo před skladováním odpojte zástrčku elektronářadí od zdroje elektrického proudu a/nebo odpojte baterií. Takový bezpečnostní postup omezuje riziko náhodného spuštění elektronářadí.
- d) Nepoužívané elektronářadí uchovávejte mimo dosah dětí a nedovolte přístup osobám, které nejsou obeznámené s elektronářadím nebo s tímto návodem na používání elektronářadí. Elektronářadí může být nebezpečné v rukách nevyškolených uživatelů.
- e) Elektronářadí je třeba udržovat. Je třeba kontrolovat sousost nebo zaseknutí pohyblivých částí, praskliny součásti a veškeré další faktory, které by mohly ovlivnit činnost elektronářadí. Pokud zjistíte poškození, musíte elektronářadí před použitím opravit. Příčinou mnohých nehod je neodborná údržba elektronářadí.
- f) Řezací nástroje musí být ostré a čisté. Řádná údržba ostrých hran řezacích nástrojů snižuje pravděpodobnost zaseknutí a usnadňuje obsluhu.
- g) Elektronářadí, vybavení, pracovní nástroje apod. používejte v souladu s tímto návodem, při čemž zohledňujte pracovní podmínky a druh prováděné práce. Používání jiným způsobem, pro který není elektronářadí určeno, může způsobit nebezpečné situace.
- h) V nízkých teplotách, nebo pokud se nářadí po delší dobu nepoužívá, doporučuje se zapnout elektronářadí bez zátěže po dobu několika minut za účelem řádného promazání mechanismu pohonu.
- i) K čištění elektronářadí používejte měkký, vlhký (ne mokry) hadřík a mýdlo. Nepoužívejte benzin, rozpouštědla a další prostředky, které by mohly poškodit zařízení.
- j) Elektronářadí je třeba skladovat / dopravovat až potom, co se ujistíte, že jsou veškeré jeho pohyblivé součásti zablokované a zajištěné proti odblokování s použitím původních součástek určených k tomuto účelu.
- k) Elektronářadí skladujte na suchém místě chráněném proti prachu a průniku vlhkosti.
- l) Doprava elektronářadí by měla probíhat v původním obalu tak, aby bylo chráněné proti mechanickému použití.



VÝSTRAHA! Všeobecné výstrahy týkající se používání nářadí.

Oprava:

- a) Opravy elektronářadí je třeba objednávat výhradně u kvalifikované osoby, využijte původní náhradní součástky. Zajistíte tím, že používání elektronářadí bude stále bezpečné.



VÝSTRAHA! Výstrahy týkající se bezpečnosti –
Osobní bezpečnost:

- a) Při práci s vrtačkou používejte chrániče sluchu. Vystavení se nadměrnému hluku může způsobit ztrátu sluchu.

- b) Během provádění prací, při nichž by mohl pracovní nástroj narazit na skryté elektrické vedení nebo na vlastní napájecí vodič, držte elektronářadí za izolované plochy držáku. Styk s elektrickým vedením může způsobit předání napětí na kovové součástky elektronářadí, což by mohlo v důsledku způsobit úraz elektrickým proudem.
- c) Používejte vhodné vyhledávací nástroje na zjištění skrytých elektrických vedení, nebo požádejte o pomoc správce budovy. Styk s vedením, které je pod napětím, může vést k vzniku požáru nebo k úrazu elektrickým proudem. Poškození plynového potrubí může způsobit výbuch. Průnik do vodovodního potrubí způsobí věcné škody.
- d) Nepracováváte materiál obsahující azbest. Azbest způsobuje onemocnění nádorovou nemocí.
- e) Udržujte pracoviště čisté. Obzvláště nebezpečné bývají směsi materiálů. Prach z lehkého kovu se může vznítit nebo vybuchnout.
- f) Předmět, který zpracováváte, je třeba zajistit. Ujistěte se, zda jsou všechny upevňující svěrky stažené a zkontrolujte, jestli není uchycení volné. Upevnění obráběného předmětu v držáku nebo svěrku je bezpečnější než jeho držení rukou.
- g) Elektronářadí je třeba při práci pořádně držet oběma rukama a udržovat stabilní postoj. Je vhodné z bezpečnostních důvodů vést elektronářadí v obou rukách.
- h) Pokud by se nástroj zasekl, je třeba elektronářadí okamžitě vypnout. Musíte být v takové situaci připraveni na vysoké vibrace, které způsobí zpětný ráz. Nástroj se může zaseknout, když je elektronářadí přetížené nebo když se v obráběném předmětu zkrvíví.
- i) Při pracovní přestávce, během výměny nástrojů, oprav, čištění nebo nastavování je třeba zařízení odpojit od přívodu elektrického proudu. Dříve, než elektronářadí odložíte, počkejte, až se zcela zastaví. Pracovní nástroj se může zaseknout, což může způsobit ztrátu kontroly nad nářadím.
- j) Nepoužívejte elektronářadí s poškozeným vodičem napájení. Nedotýkejte se poškozeného vodiče; v případě, že dojde k poškození vodiče během práce, vytáhněte zástrčku ze zásuvky. Poškozené vodiče zvyšují riziko zásahu elektrickým proudem.
- k) Pokud je vodič napájení elektronářadí poškozený, musí se v servisu vyměnit za bezvadný.

URČENÍ A KONSTRUKCE VRTAČKY:

Vrtačka je určená na vrtání otvorů ve dřevě, kovu, keramice a umělých hmotách. Zařízení je vybaveno systémem elektronického nastavení chodu doprava /doleva a je také vhodné na zašroubování/vyšroubování šroubu a na závitování.

Je kategoriicky vyloučeno využití zařízení jakýmkoliv jiným cílům.

Vrtačka má pohon jednofázovým motorem a je určená k práci v domácnosti i k průmyslovému využití s průměrnou intenzitou. Není vhodná k dlouhodobým pracím v těžkých podmínkách. **Nářadí se nesmí používat k provádění prací vyžadujících použití profesionálního zařízení.**

Každé použití zařízení jinak, než to vyplývá z jeho výše uvedeného určení, je zakázané, způsobuje ztrátu záruky a osvobozuje výrobce od odpovědnosti za takto způsobené škody.

Jakékoliv úpravy zařízení prováděné uživatelem osvobuzuje výrobce od odpovědnosti za poškození a škody způsobené uživateli a v okolí.

Správné používání elektronářadí se týká také údržby, skladování, dopravy a oprav.

Elektronářadí mohou opravovat pouze servisní opravny určené výrobcem. Zařízení, které je napájeno ze sítě, by měly opravovat pouze osoby, které jsou k tomuto oprávněny.

I při používání nářadí v souladu s jeho určením nelze zcela eliminovat určité rizikové faktory. Vzhledem ke konstrukci a stavbě stroje se mohou vyskytnout následující ohrožení:

- Dotek během práce otáčejícího se vrtáku rukou nebo oděvem obsluhy, vodičem napájení.
- Popáleniny při výměně vrtáku. (Během práce se vrták velmi zahřívá, pro ochranu proti popálení používejte při výměně vrtáku rukavice).
- Zpětný ráz zpracovávaného předmětu nebo jeho části.
- Zkrivení / zlomení vrtáku.

■ Kompletace

- Příklepová vrtačka - 1 ks.
- Klíč ke skličidlu s ozubeným vřecem - 1 ks.
- Návod na obsluhu - 1 ks.
- Záruční list - 1 ks.

■ Součásti zařízení (viz obr. A, B, C):

Číslování součástí zařízení se vztahuje ke grafickému znázornění umístěnému na stránce 2 návodu na obsluhu:

1. Skličidlo na klíč
2. Přepínač směru otáček
3. Blokování vypínače
4. Vypínač
5. Knoflík nastavení rychlosti otáček
6. Kabel napájení
7. Klíč na skličidlo

TECHNICKÉ ÚDAJE:

MODEL	TUW550
Jmenovité napětí	220-240 V
Jmenovitý kmitočet	50 Hz
Odebíraný výkon	550 W
Rychlost otáček bez zátěže	0-2800 /min
Skličidlo (na klíč)	13 mm
Maximální průměr vrtán	ocel - 10 mm
	dřevo - 25 mm
Hmotnost (bez příslušenství)	2,7 kg
Třída zařízení	II
Stupeň ochrany	IP20
Hladina akustického tlaku (LpA)	88 dB(A)
Hladina akustického výkonu (LwA)	99 dB(A)
tolerance měření KpA/KwA=3 dB(A)	
Úroveň vibrací podle normy EN 60745	
vrtání do kovu a _{h0}	3,42 m/s ²
tolerance měření K=1,5 m/s ²	

Uvedená úroveň vibrací platí pro základní použití elektronářadí. Pokud by bylo elektronářadí použito jinak nebo s jinými pracovními nástroji, a také pokud nebude prováděna dostatečná údržba, úroveň vibrací se může lišit od uvedené. Výše uvedené důvody mohou způsobit zvýšení vystavení vibracím během celé doby práce.

Je třeba uplatnit další bezpečnostní prostředky, jejichž účelem je ochrana obsluhy pily proti důsledkům vystavení vibracím, např.: údržbu elektronářadí a pracovních nástrojů, zajištění vhodné teploty rukou, určení pořadí pracovních úkonů.

PŘED ZAČÁTKEM PRÁCE:

1. Přesvědčte se, že zdroj elektrické energie má parametry odpovídající parametřům vrtáčky uvedeným na výrobním štítku.
2. Přesvědčte se, že je vypínač vrtáčky ve vypnuté poloze a blokování vypínače (3) je povoleno. Neodkládejte vrtáčku za chodu, pokud by bylo blokování zapnuto. Blokování vypnete opětovným stlačením vypínače (4).
3. Pokud pracujete s prodlužovacím kabelem, upevněte se, že parametry prodlužovacího kabelu, průřezy vodičů, odpovídají parametřům vrtáčky. Doporučujeme použití co nejkratší prodlužovačky. Prodlužovačka by měla být zcela rozvinutá.

PŘI PRÁCI:

■ Volba vrtáku

K vrtání v kovu, umělé hmotě, dřevě (při průměru otvoru do 6 mm) použijte vrtáky na kov.

K vrtání v dřevě otvorů s průměrem větším než 6 mm použijte vrtáky na dřevo.

■ Upevnění vrtáku

Zasuňte vrták nadoraz do povoleného skličidla (1) a znehybněte jej dotažením čelisti otáčecím vnějším kroužkem s použitím klíče (7), při čemž použijte postupně všechny tři otvory v těle skličidla (viz obr. B).

■ Změna směru otáček

Přepněte přepínač směru otáček (2) nadoraz do příslušné polohy. Značky na krytu u vypínače: ➡ – otáčky ve směru pohybu hodinových ručiček, ➡ – otáčky v protisměru pohybu hodinových ručiček.

POZOR: Nikdy nepřepínejte směr otáček, pokud je skličidlo (1) v pohybu.

■ Zapínání/vypínání

Za účelem zapnutí elektronářadí je třeba stlačit vypínač (4) a držet jej stlačený.

Pro zablokování vypínače v zapnuté poloze je třeba stlačit blokování vypínače (3).

Za účelem vypnutí elektronářadí je třeba povolit vypínač (4), nebo – pokud je zablokovaný tlačítkem (3), stlačit krátce vypínač a následně jej povolit.

■ Řízení rychlosti otáček

Zvýšením nebo snížením tlaku na vypínač (4) lze plynule řídit rychlost otáček.

Lehkým stlačením vypínače (4) uvedete zařízení do chodu s nízkou rychlostí otáček. Zvýšením tlaku zvyšujete rychlost otáček.

■ Nastavení rychlosti otáček

Knoflíkem na nastavení rychlosti otáček (5) lze nastavit požadovanou rychlost otáček. Je to možné provést také během práce.

Výžadovaná rychlost otáček je závislá na zpracovávaném materiálu a

pracovních podmínkách, lze ji odhadnout provedením praktické zkoušky.

VÝMĚNA SKLÍČIDLA:



Před jakoukoliv prací na elektronářadí je třeba vytáhnout elektrickou zástrčku ze zásuvky.

POZOR: Sklíčidlo u vrtačky s možností otáček doprava/doleva je znehybněno šroubem s levým závitem. Před výměnou sklíčidla je nezbytné tento šroub vyšroubovat s použitím příslušného křížového šroubováku (PH2) z přední strany přes otvorsklíčidla.

Šroub s levým závitem povolíte pouze otáčením doprava.

Pro demontování vrtacího sklíčidla (1) položit vrtačku na stabilní podklad, např. na pracovní stůl, a uchytit vidlicová klíč (14 mm) do zářezů, které jsou na vřeteně. Přidržit sklíčidlo jednou rukou a druhou otáčet klíčem v protisměru pohybu hodinových ručiček, až bude sklíčidlo zcela vyšroubované (obr. C).

Namontování sklíčidla probíhá v opačném pořadí.

V sedle a na závitu sklíčidla nesmí být žádné nečistoty.

POKYNY TÝKAJÍCÍ SE PRÁCE:

- Po déle trvající práci s nízkými otáčkami je třeba za účelem zchlazení spustit zařízení na dobu cca 3 minut při maximální rychlosti otáček bez zátěže.
- Pro vrtání otvorů v keramických dlaždicích používejte vrták na sklo a glazury.
- Na vrtání v kovu používejte pouze ostré vrtáky na kov.

POZOR: Volba vhodného vrtáku pro každý druh práce Vám zajistí menší vibrace během vrtání, což významně zvýší účinnost vrtání.

- Při zašroubování/vyšroubování šroubů/matic přikládejte pracovní koncovku na šroub/matic, pokud se sklíčidlo netočí.

UCHOVÁVÁNÍ A ÚDRŽBA:

Stroj v podstatě nevyžaduje zvláštní údržbu. Uchovávejte zařízení na dětem nedostupném místě, udržujte je čisté, chráňte proti vlhkosti a zaprášení. Podmínky skladování by měly být takové, aby vyloučily možnost mechanického poškození a působení atmosférických vlivů.

Po vrtání v silně prašném prostředí se doporučuje přefoukání stlačeným vzduchem ventilačních otvorů a sklíčidla. Zabrání to poškození ložisek a odstraní prach blokující přísun vzduchu chladícího motor.

DOPRAVA:

Vrtačku dopravujte a skladujte v obalu, který ji chrání proti vlhkosti, průniku prachu a drobných částic, chráňte především ventilační otvory. Drobné částice, které se dostanou dovnitř krytu, by mohly poškodit motor.

TYPICKÉ PORUCHY A JEJICH ODSTRAŇOVÁNÍ:

Vrtačka nefunguje:

- Zkontrolujte, zda je vodič napájení (6) řádně zapojený a zkontrolujte pojistky,

Vrtačka «přerušuje chod» anebo jiskří:

- Zkontrolujte uhlíkové kartáče, v případě potřeby je vyměňte.

POZOR! Výměnu uhlíkových kartáčů může provést pouze elektrikář s příslušným oprávněním.

- Pokud elektronářadí stále nefunguje, i když má požadované napájení a má nepotřebované uhlíkové kartáče, odevzdejte je do servisní opravy, jejíž adresa je uvedena v záruce.

VÝROBCE:

PROFIX s.r.o.;

ul. Marywilka 34, 03-228 Varšava, Polsko

OCHRANA ŽIVOTNÍHO PROSTŘEDÍ:



POZOR: Zobrazený symbol znamená zákaz likvidace zařízení dohromady s jinými odpady (na porušení zákazu se vztahuje pokuta). Nebezpečné složky, které se nacházejí v elektrickém a elektrotechnickém vybavení mají negativní vliv na životní prostředí a lidské zdraví.

Domácnosti by se měly zapojit do získávání zpět a opětovného využívání (recyklace) starých elektrospotřebičů. V Polsku a v Evropě se tvoří nebo už existuje systém sběru elektroodpadu, v rámci kterého mají všechna prodejní místa elektrospotřebičů povinnost přijímat elektroodpad. Kromě toho existují sběrná místa pro elektroodpad.

PIKTOGRAMY:

Vysvětlění ikon umístěných na firemním štítku a na informačních nálepkách na zařízeních:



«Před spuštěním zařízení si přečtěte návod na obsluhu»



«Vždy používejte ochranné brýle»



«Používejte ochranné masky proti prachu»



«Používejte ochranné masky proti prachu»



Politika firmy PROFIX je politikou průběžného zdokonalování výrobků, z toho důvodu si firma vyhrazuje právo změnit specifikaci výrobku bez předchozího informování. Obrázky, uvedené v návodu na obsluhu, jsou pouze příklady a mohou se lišit od skutečného vzhledu zakoupeného zařízení.

Tento návod je chráněný autorským zákonem. Jeho kopírování / rozmnožování bez písemného souhlasu společnosti PROFIX s.r.o. je zakázané.

DT-C2/d_zg/0179/03.2014

14.03.2014

(GB) EC DECLARATION OF CONFORMITY
(PL) DEKLARACJA ZGODNOŚCI WE**(RO) DECLARAȚIE DE CONFORMITATE CE**
(LV) EK ATBILSTĪBAS DEKLARĀCIJA**(CZ) ES PROHLÁŠENÍ O SHODĚ**

(GB) MANUFACTURER	(PL) PRODUCENT	(RO) PRODUCĂTOR	(LV) RAŽOTĀJS	(CZ) VÝROBCE
----------------------	-------------------	--------------------	------------------	-----------------

PROFIX Sp. z o.o. ul. Marywilska 34, 03-228 Warszawa**(GB)** Person who was authorized to develop technical documentation:**(LV)** Persona atbildīga par tehniskās dokumentācijas sagatavošanu:**(PL)** Osoba upoważniona do przygotowania dokumentacji technicznej:**(CZ)** Osoba oprávněna připravit technickou dokumentaci:**(RO)** Persoana împuternicită pentru pregătirea documentației tehnice:**Mariusz Rotuski, Centrum Dystrybucyjno-Handlowe PROFIX, ul. Dobra 3, Łomna Las, 05-152 Czosnów****(GB)** This is to confirm that the following products: **(PL)** Niniejszym potwierdzamy, że produkt(y): **(RO)** Prin prezenta, confirmăm că produsul (produsele): **(LV)** Ar šo apliecinām, ka produkts(ti): **(CZ)** Tímto potvrzujeme, že výrobek (výrobky):**(GB)** Drill **(PL)** Wiertarka **(RO)** Mașină de găurit **(LV)** Urbjmašina **(CZ)** Vrtačka**TRYTON TUW550**

LD102

220-240 V; 50 Hz; 550 W; kl. II; n₀: 0-2800 /min; ø 10**(GB)** meet essential requirement included into the following Directives of the European Parliament and the Council: **(PL)** spełnia(ją) wymagania określone w dyrektywach Parlamentu Europejskiego i Rady: **(RO)** îndeplinesțe (îndeplinesc) cerințele definite de directivele Parlamentului European și a Consiliului Europei: **(LV)** izpildī pamat prasības noteiktas Eiropas Parlamenta un Padomes direktīvās: **(CZ)** splňuje(ji) požadavky uváděné ve směrnicih Evropského parlamentu a Rady:**(GB)** 2006/42/EC (OJ L 157, 9.6.2006, p. 24–86); 2004/108/EC (OJ L 390, 31.12.2004, p. 24–37); 2011/65/EU of the European Parliament and of the Council of 8 June 2011 on the restriction of the use of certain hazardous substances in electrical and electronic equipment (OJ L 174, 1.7.2011, p. 88);**(PL)** 2006/42/WE z dnia 17 maja 2006 r. w sprawie maszyn, zmieniającej dyrektywę 95/16/WE (Dz. Urz. UE L 157 z 09.06.2006, str. 24 z późn. zm.); 2004/108/WE z dnia 15 grudnia 2004 r. w sprawie zbliżenia ustawodawstw Państw Członkowskich odnoszących się do kompatybilności elektromagnetycznej oraz uchylająca dyrektywę 89/336/EWG (Dz.U. L 390 z 31.12.2004, str. 24–37 z późn. zm.); 2011/65/UE z dnia 8 czerwca 2011 r. w sprawie ograniczenia stosowania niektórych niebezpiecznych substancji w sprzęcie elektrycznym i elektronicznym (Dz.U. L 174 z 1.7.2011, str. 88);**(RO)** 2006/42/CE (JO L 157, 9.6.2006, p. 24-86); 2004/108/CE (JO L 390, 31.12.2004, p. 24-37); 2011/65/UE a Parlamentului European și a Consiliului din 8 iunie 2011 privind restricțiile de utilizare a anumitor substanțe periculoase în echipamentele electrice și electronice (JO L 174, 1.7.2011, p. 88);**(LV)** 2006/42/EK (OV L 157, 9.6.2006., 24./86. lpp.); 2004/108/EK (OV L 390, 31.12.2004., 24./37. lpp.); 2011/65/ES (2011. gada 8. jūnijs) par dažu bīstamu vielu izmantošanas ierobežošanu elektriskās un elektroniskās iekārtās (OV L 174, 1.7.2011., 88 lpp.);**(CZ)** 2006/42/ES (Úř. věst. L 157, 9.6.2006, s. 24–86); 2004/108/ES (Úř. věst. L 390, 31.12.2004, s. 24–37); 2011/65/EU ze dne 8. června 2011 o omezení používání některých nebezpečných látek v elektrických a elektronických zařízeních (Úř. věst. L 174, 1.7.2011, s. 88);**(GB)** and have been manufactured in accordance with the standards:**(LV)** un tika izgatavoti atbilstoši normām:**(PL)** oraz zostały(y) wyprodukowany(e) zgodnie z normą(ami):**(CZ)** a byla(y) vyrobená(y) podle normy(em):**(RO)** și au fost produse conform normelor:

EN 60745-1:2009+A11:2010 EN 60745-2-1:2010

EN 55014-1:2006+A1:2009+A2:2011 EN 55014-2:1997+A1:2001+A2:2008 EN 61000-3-2:2006+A1:2009+A2:2009 EN 61000-3-3:2008


Mariusz Rotuski**(GB)** This declaration of conformity is issued under the sole responsibility of the manufacturer. **(PL)** Niniejsza deklaracja zgodności wydana zostaje na wyłączną odpowiedzialność producenta. **(RO)** Prezenta declarație de conformitate este emisă pe răspunderea exclusivă a producătorului. **(LV)** Šī atbilstības deklarācija ir izdota vienīgi uz šāda ražotāja atbildību. **(CZ)** Toto prohlášení o shodě vydal na vlastní odpovědnost výrobce.

